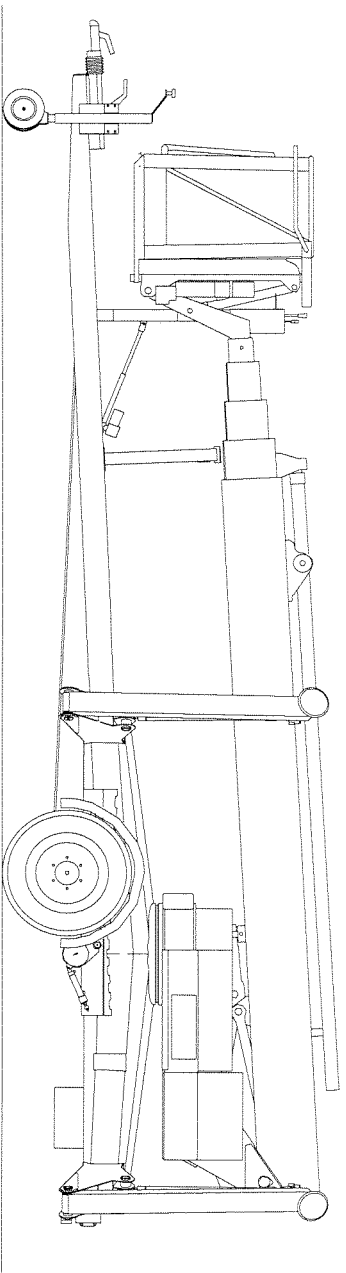


**RESERVEDELS-
KATALOG**

**SPARE PARTS
CATALOGUE**

**ERSATZTEILS-
KATALOG**

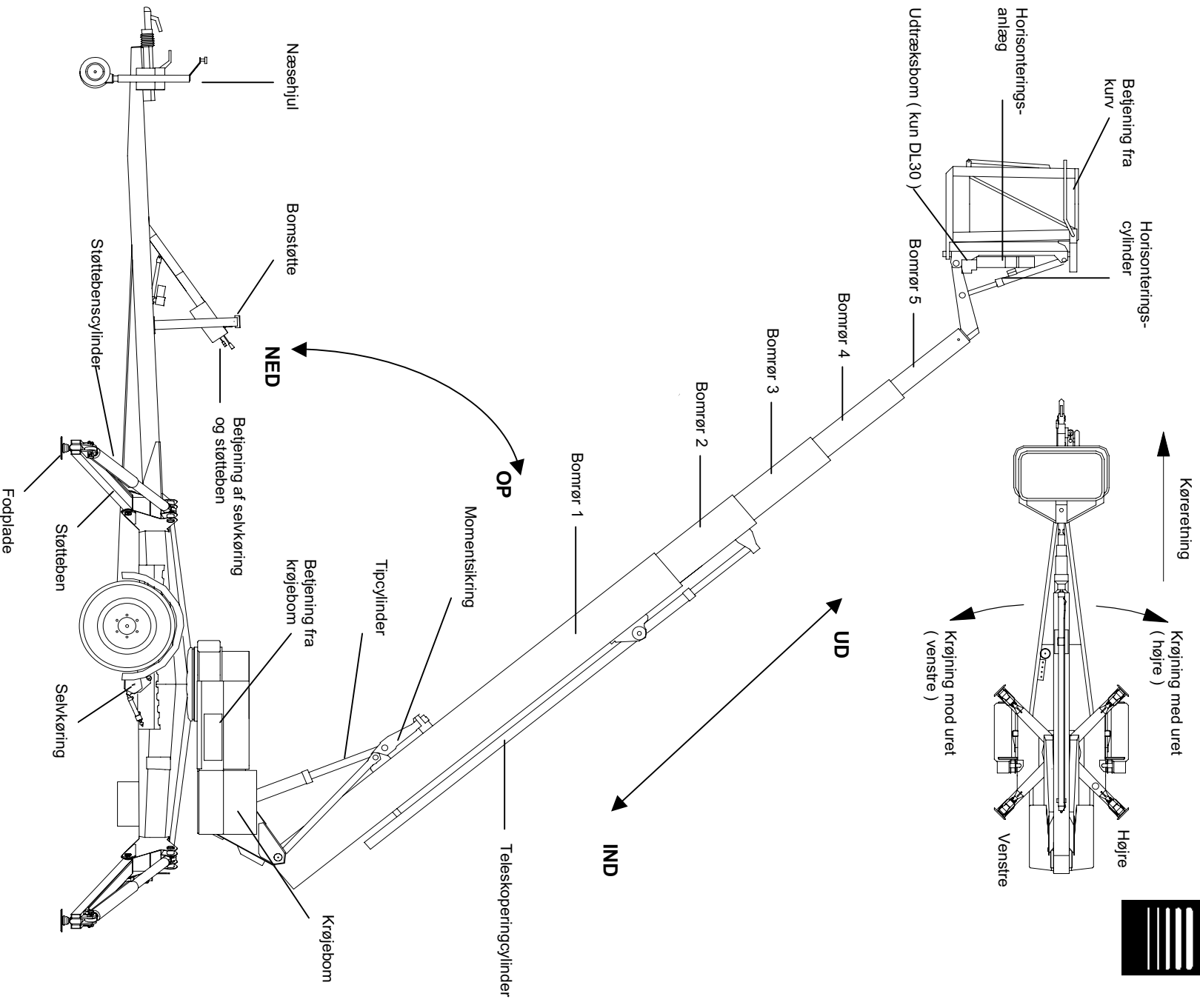


**DL25
DL30**

Version – 07/2004

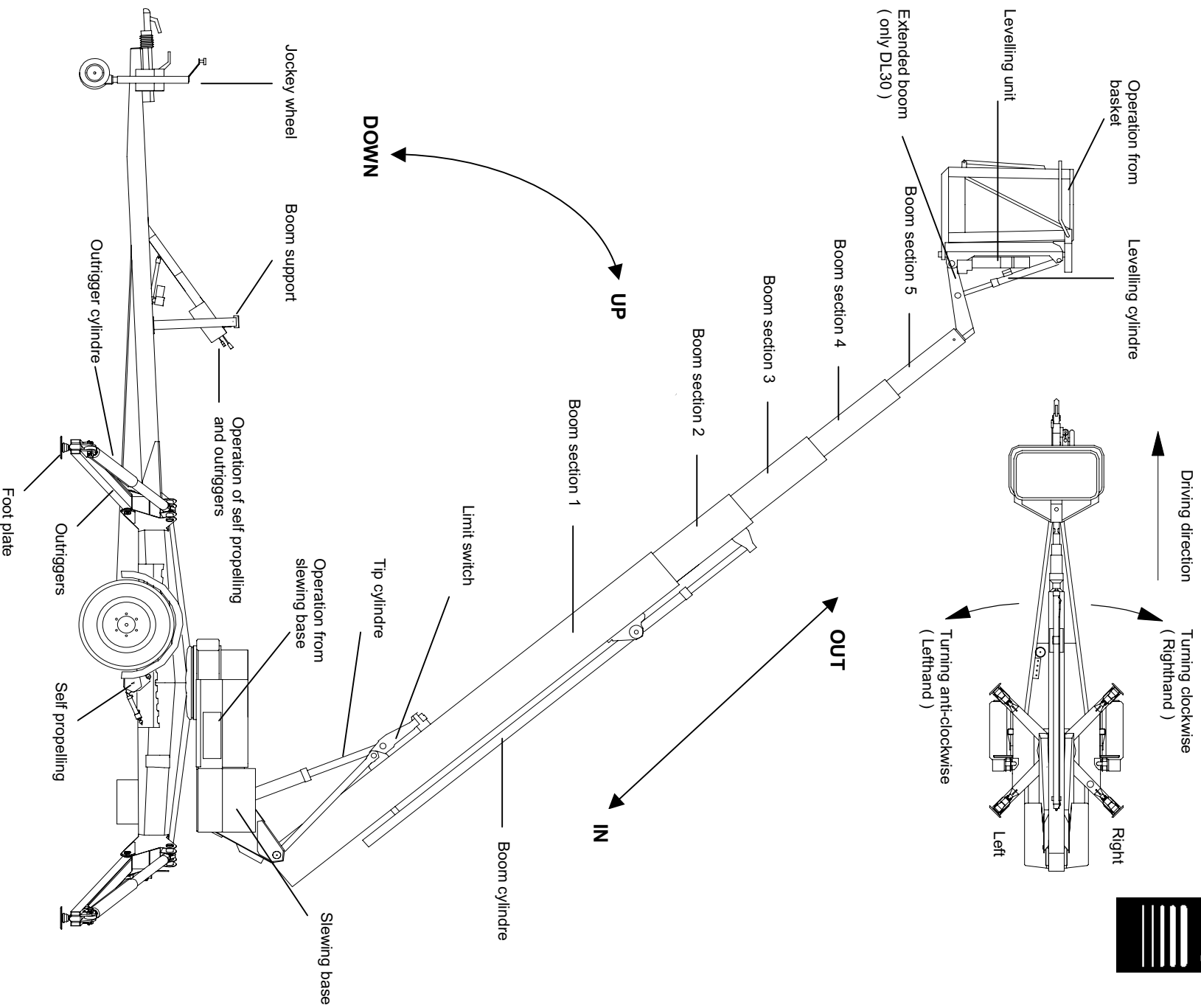
Liftbeskrivelse – DL25 / DL30

På denne side forklares en del funktioner og begreber, der anvendes i reservedelskataloget. Hvis der ønskes yderligere oplysninger, kontakt os da venligst.



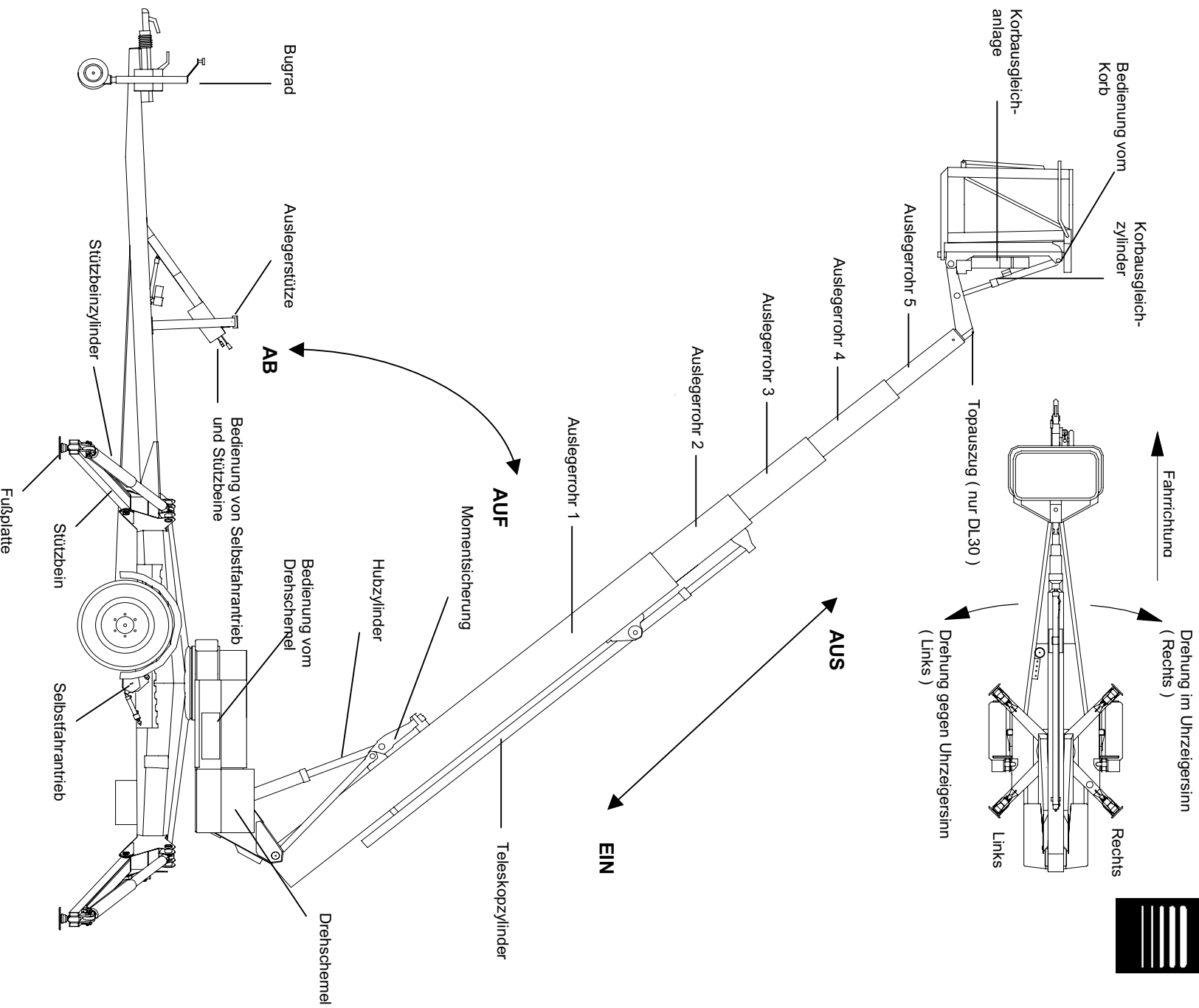
Description of the lift – DL25 / DL30

At this page some functions and constructions mentioned in the spare part catalogue are explained. If you need further information, please contact us.



Beschreibung des Liftes – DL25 / DL30

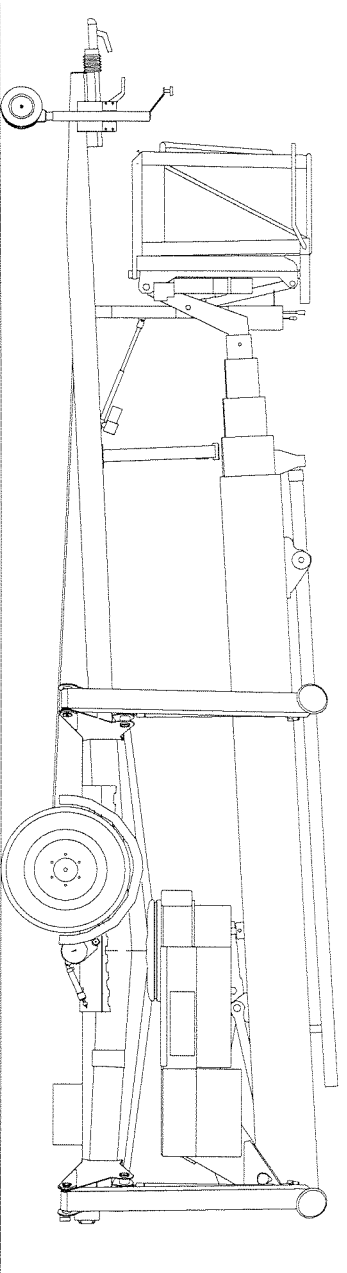
An dieser Stelle werden einige der Funktionen und Begriffe erklärt, die in den Ersatzteilkatalog benutzt werden. Falls Sie weitere Technische Daten brauchen, bitten wir Ihnen uns zu kontaktieren.



**RESERVEDELS-
KATALOG**

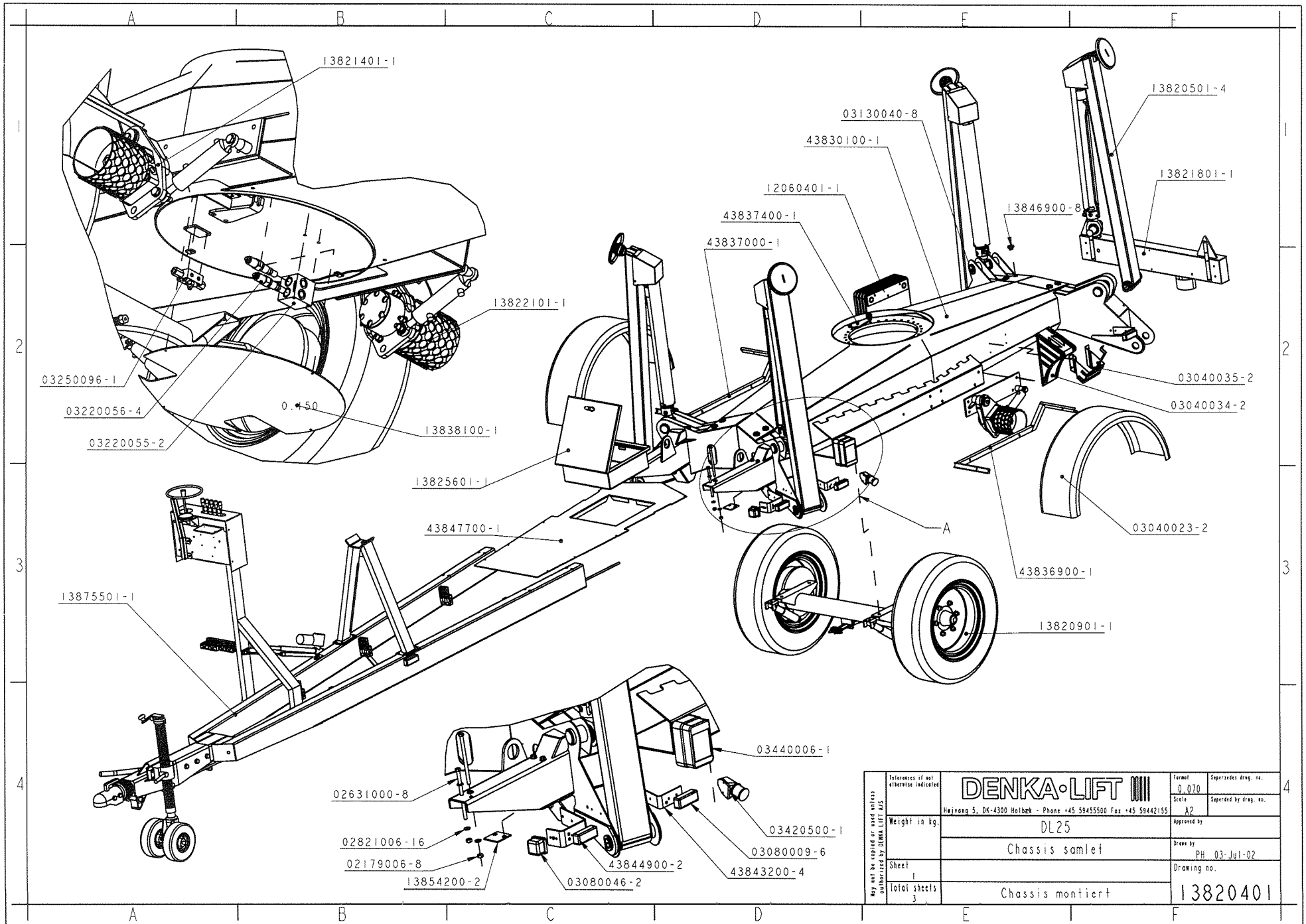
**SPARE PARTS
CATALOGUE**

**ERSATZTEILS-
KATALOG**

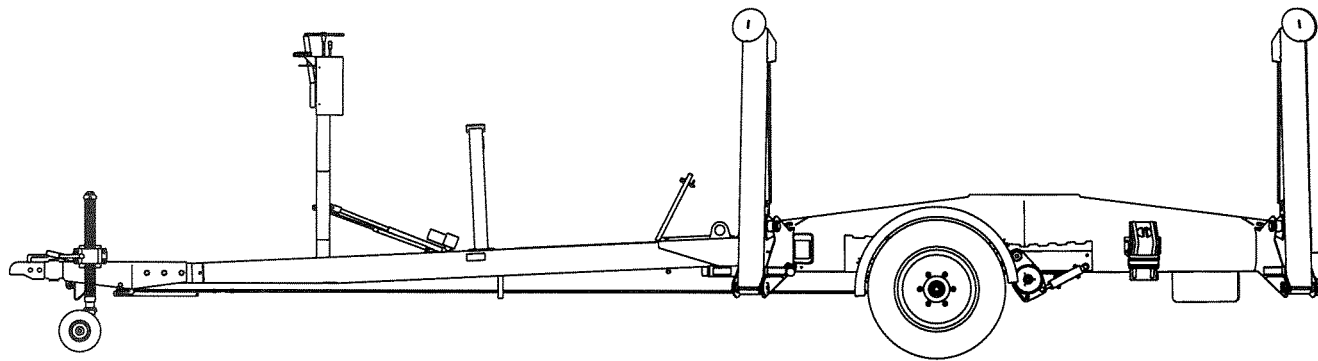


CHASSIS

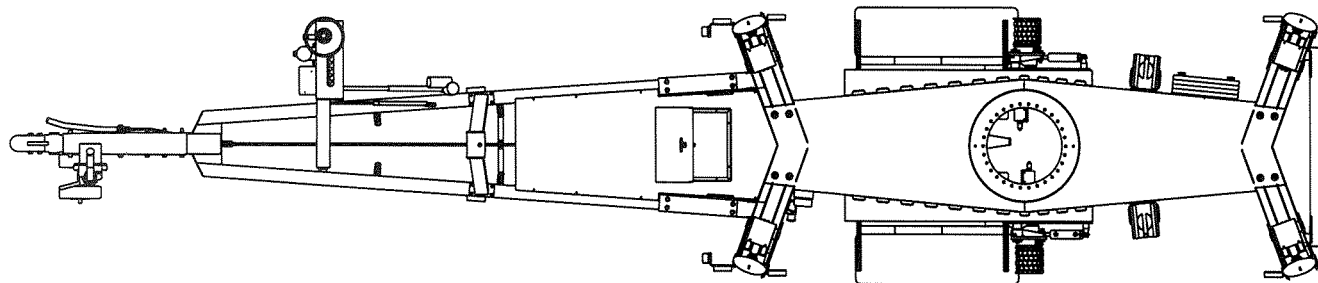
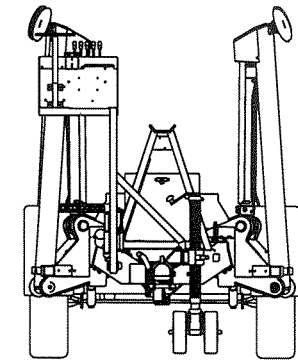
Version – 07.2004




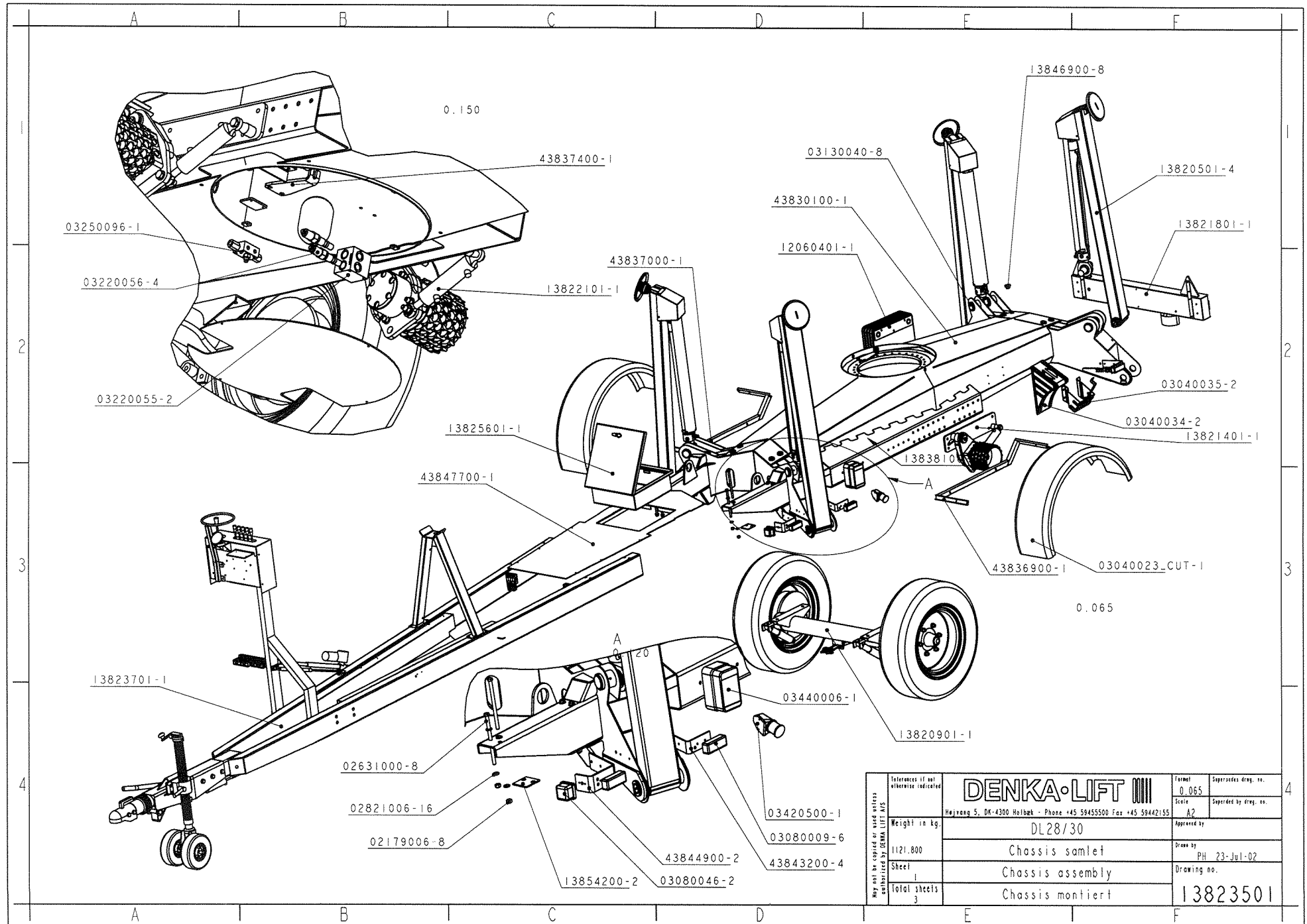
May not be copied or used without authorization by DENKA LIFT A/S	Tolerances if not otherwise indicated	DENKA-LIFT	Format 0.070	Separated by drug. no.
	Weight in kg.	Heivang 5, DK-4300 Holbæk - Phone +45 59455500 Fax +45 59442155	Scale A2	Separated by drug. no.
	Sheet 1	DL25	Approved by	Drawn by PH 03-Jul-02
	Total sheets 3	Chassis samlet	Drawing no.	
		Chassis monteret		13820401



0.050

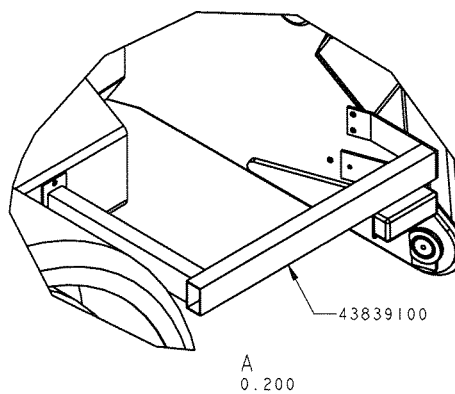
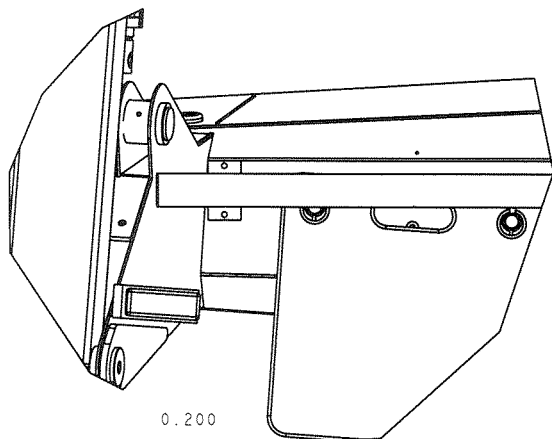
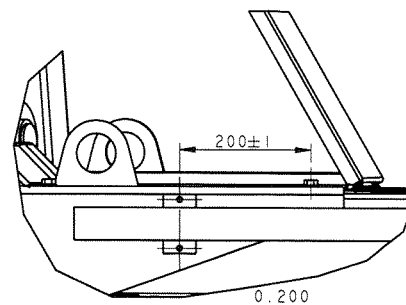
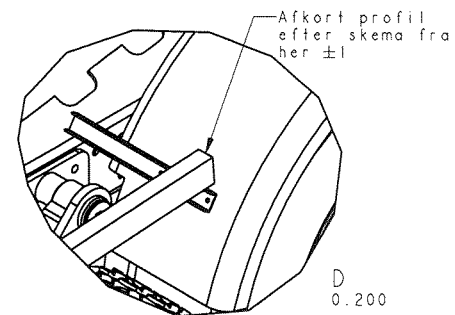
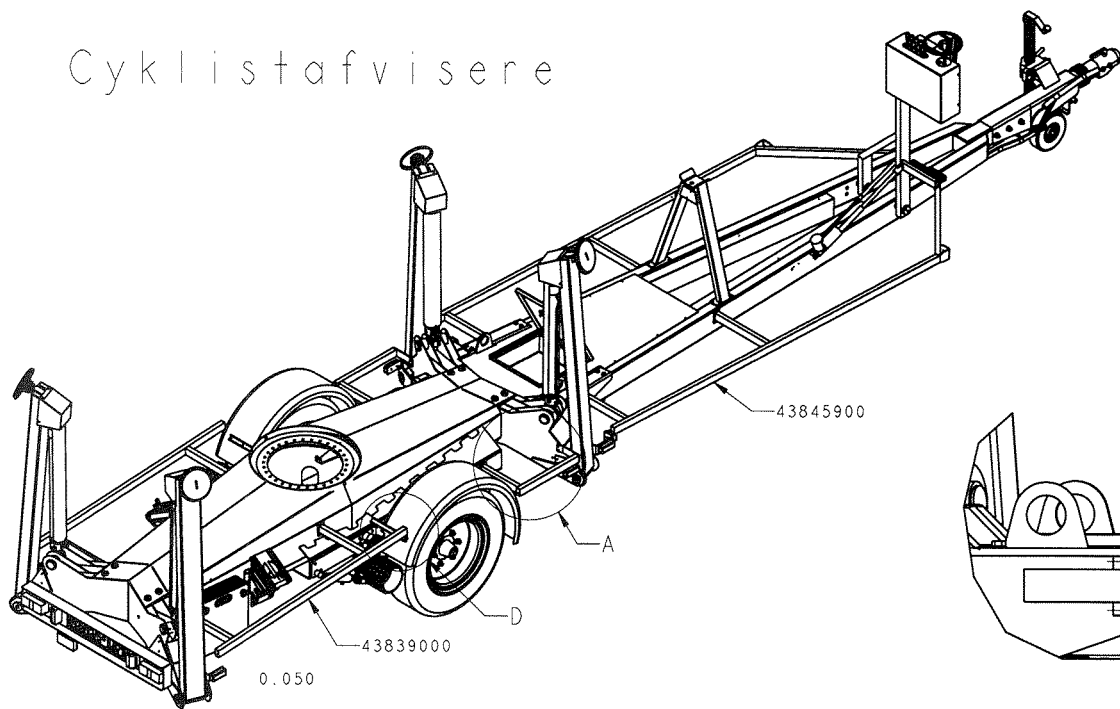


May not be copied or used without authorization by DENKA LIFT A/S	Tolerances if not otherwise indicated	DENKA-LIFT 	Format 0.070	Supersedes drawing no.
	Weight in kg.		Scale A2	Superseded by drawing no.
	Sheet 2	Approved by DL25	Drawn by PH 03-Jul-02	Drawing no.
	Total sheets 3	Chassis samlet Chassis assembly Chassis monteret	13820401	
		Hejning S, DK-4300 Holbæk - Phone +45 59455500 Fax +45 59442155		



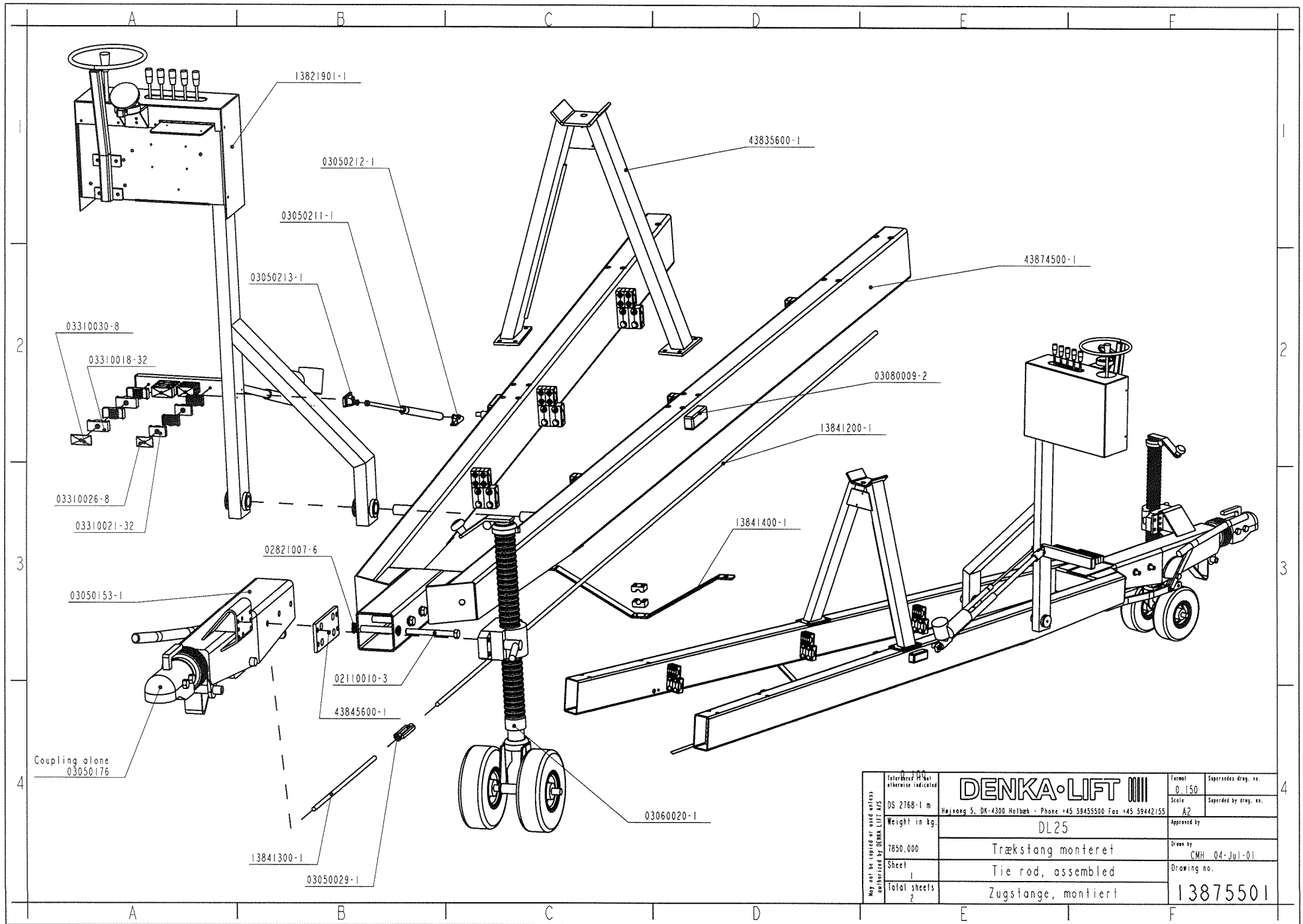
May not be copied or used without authorization by DENKA LIFT A/S	Tolerances if not otherwise indicated	DENKA-LIFT	Format 0.065	Supersedes drawing no.
	Weight in kg. 1121.800	Hejning S, DK-4300 Holbæk - Phone +45 59455500 Fax +45 59442155	Scale A2	Supersedes by drawing no.
	Sheet 1	DL28/30	Approved by PH	Drawn by PH 23-Jul-02
	Total sheets 3	Chassis samlet Chassis assembly Chassis montiert	Drawing no. 13823501	

Cyklistafvisere

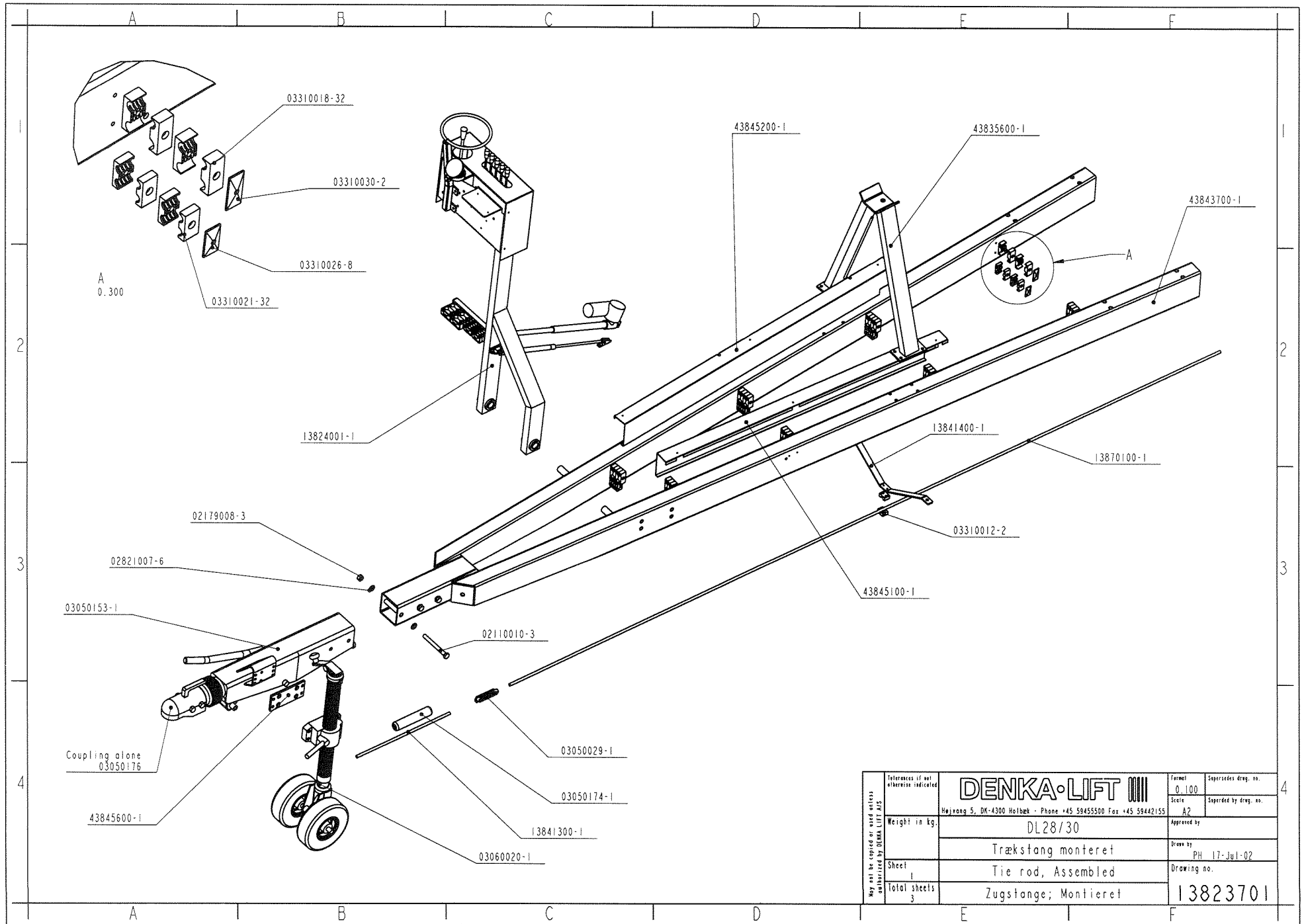


Pos	43839100	43839000
1	JA	220
2	NEJ	165
3	NEJ	110
4	NEJ	55
5	NEJ	0

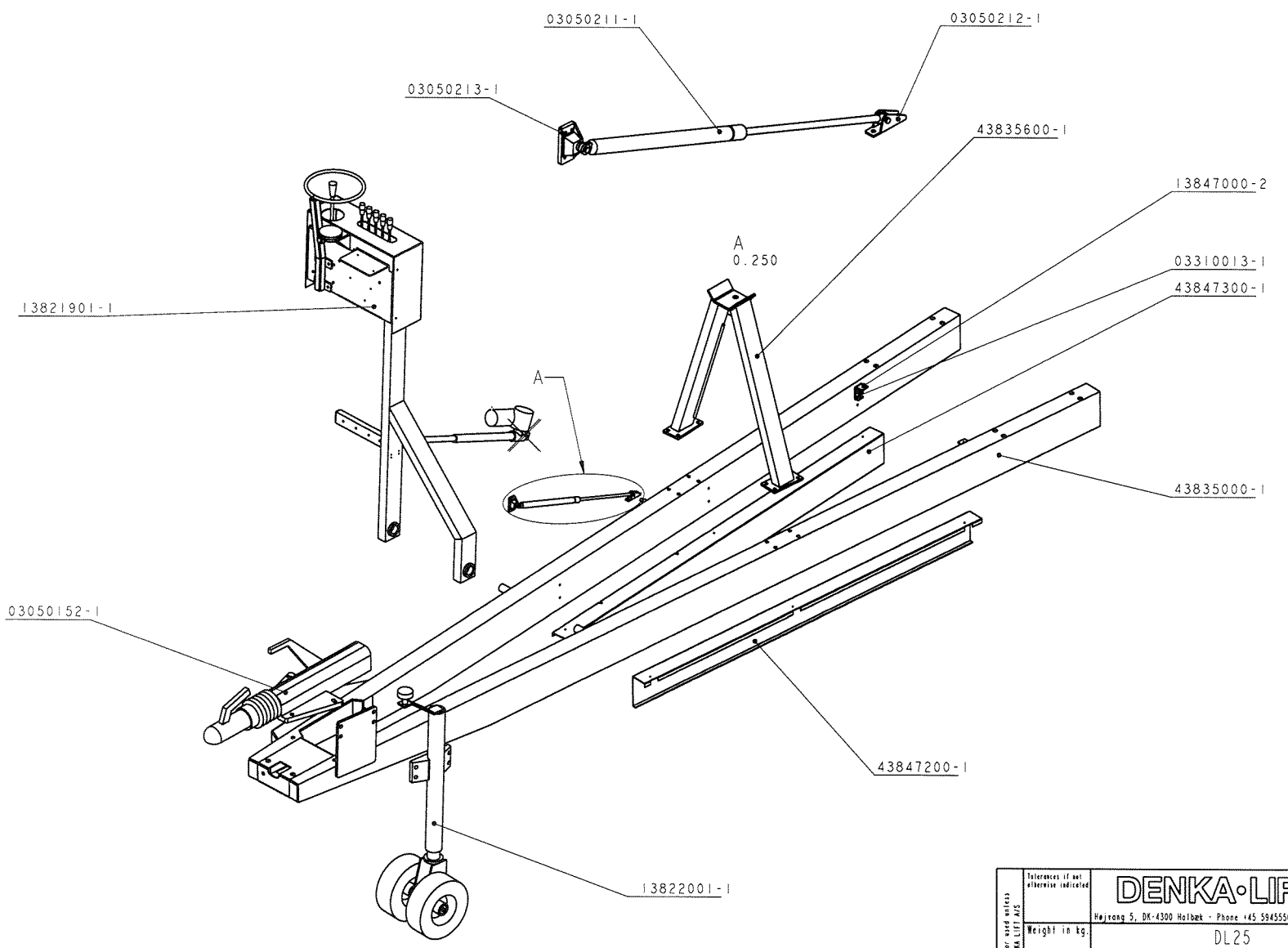
May not be copied or used without authorization by DENKA LIFT A/S	Tolerances if not otherwise indicated	DENKA LIFT	Format 0.065	Supersedes drawing no.
	Weight in kg. 1121.800	Hejvang 5, DK-4300 Holbæk - Phone +45 59455500 Fax +45 59442155	Scale A2	Superseded by drawing no.
	Sheet 3	DL28/30	Approved by _____	Drawn by JBK 06-Jan-04
	Total sheets 3	Chassis samlet Chassis assembly Chassis monteret	Drawing no. 13823501	



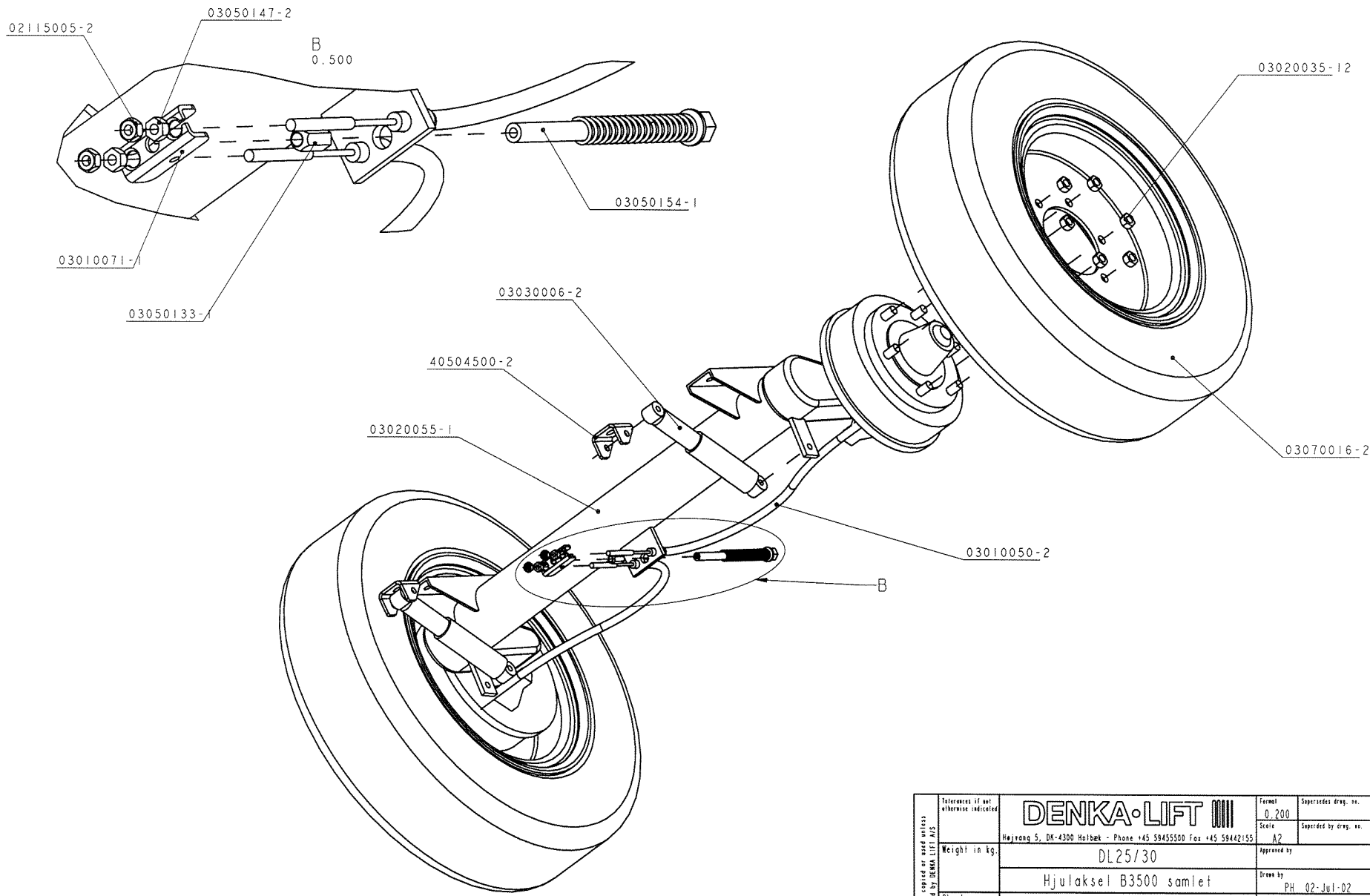
May not be copied or used without authorization by DENKA LIFT A/S	Interference fit wherever indicated	DENKA-LIFT	Format 0,150	Supersedes drawing no.
	DS 2768-1 m	Weight in kg. 7850,000	Scale A2	Superseded by drawing no.
	Approved by DL25		Drawn by CMH 04-Jul-01	
	Sheet 1		Drawing no. 13875501	
Total sheets 2		Zugstange, montiert		




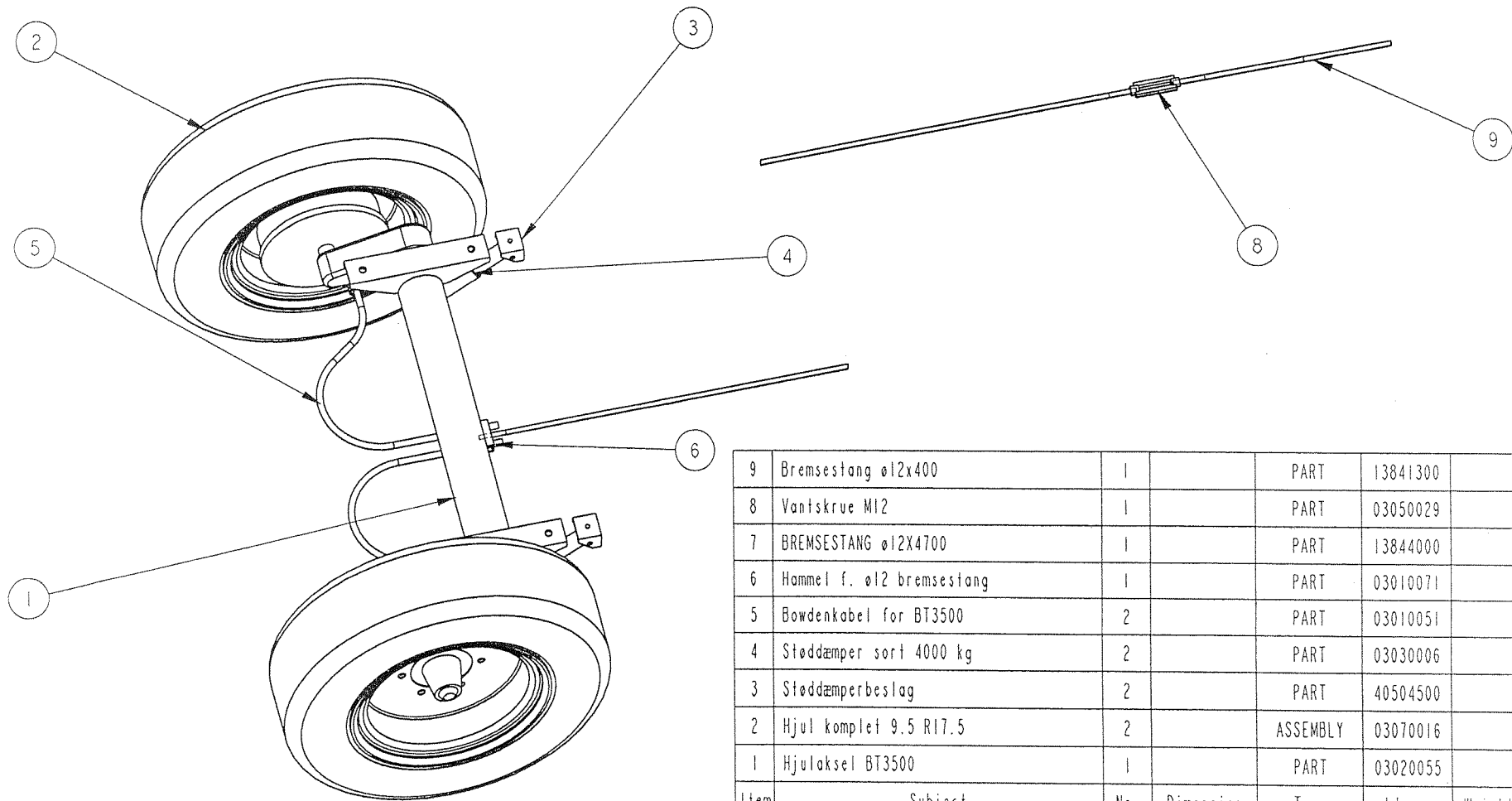
May not be copied or used without authorization by DENKA LIFT A/S	Tolerances if not otherwise indicated	DENKA-LIFT		Format 0_100	Supersedes drawing no.
	Weight in kg.	Højvang 5, DK-4300 Holbæk - Phone +45 59455500 Fax +45 59442155		Scale A2	Superseded by drawing no.
	Sheet 1	DL28/30		Approved by	
	Total sheets 3	Trækstang monteret Tie rod, Assembled		Drawn by PH 17-Jul-02	
Zugstange; Montieret				Drawing no. 13823701	




May not be copied or used without authorization by DENKA LIFT A/S	Tolerances if not otherwise indicated	DENKA-LIFT	Format 0.095	Supersedes drawing no.
	Weight in kg.	Højvang 5, DK-4300 Holbæk - Phone +45 59455500 Fax +45 59442155	Scale A2	Supersedes by drawing no.
	Sheet 1	DL25	Approved by	
	Total sheets 2	Trækstang monteret	Drawn by PH 01-Jul-02	
		Zugstang, montiert	Drawing no. 13822201	

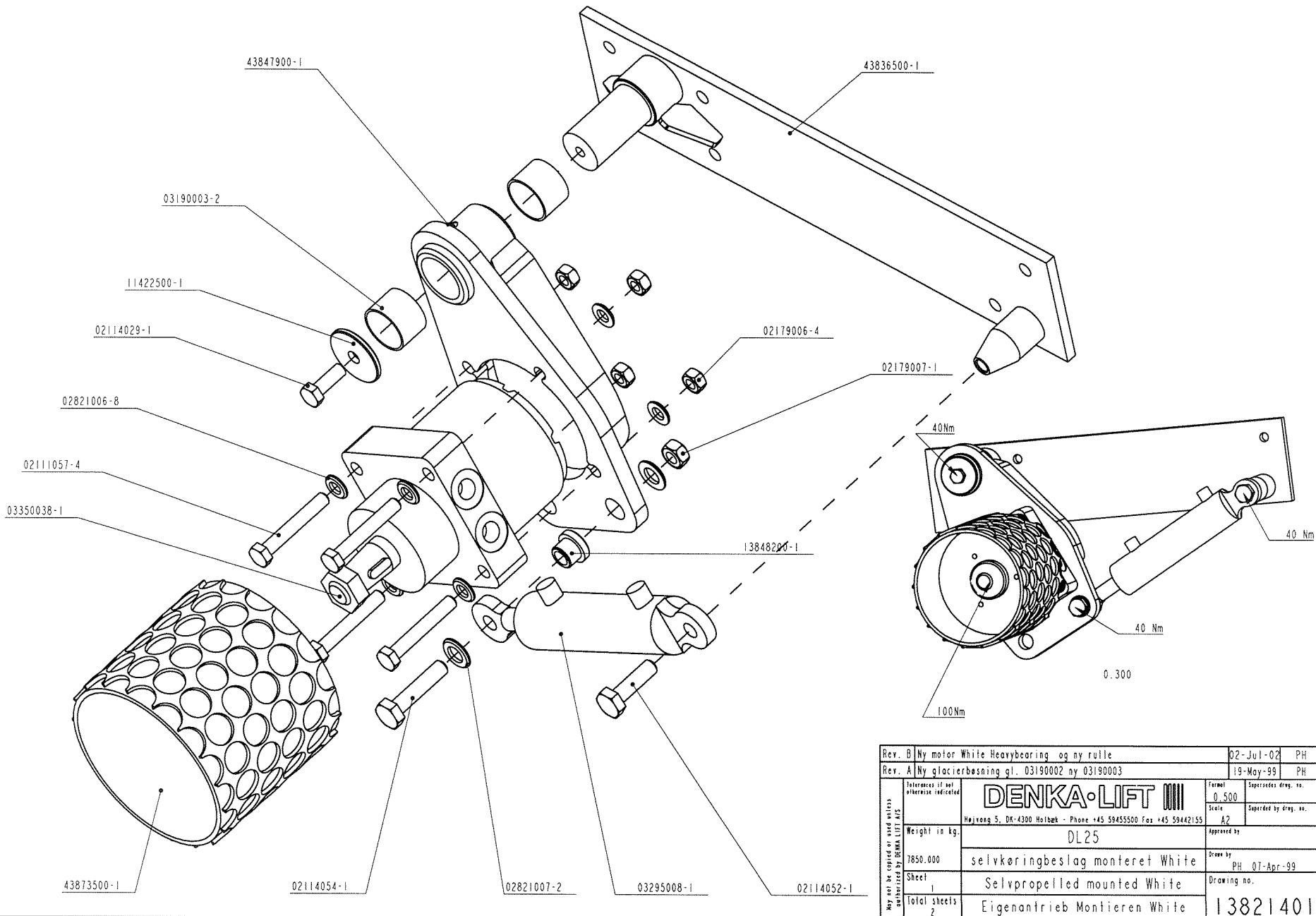


May not be copied or used unless authorized by DENKA LIFT A/S	Tolerances if not otherwise indicated	DENKA-LIFT 	Format	Supersedes drawing no.
			0_200	Scale
	Weight in kg.	Højvang 5, DK-4300 Holbæk - Phone +45 59455500 Fax +45 59442155	Approved by	
	Sheet	DL25/30	Drawn by	PH 02-Jul-02
	Total sheets	Hjulaksel B3500 samlet	Drawing no.	
	wheel axle B3600			
	Rad Achse B3500			
				13820901

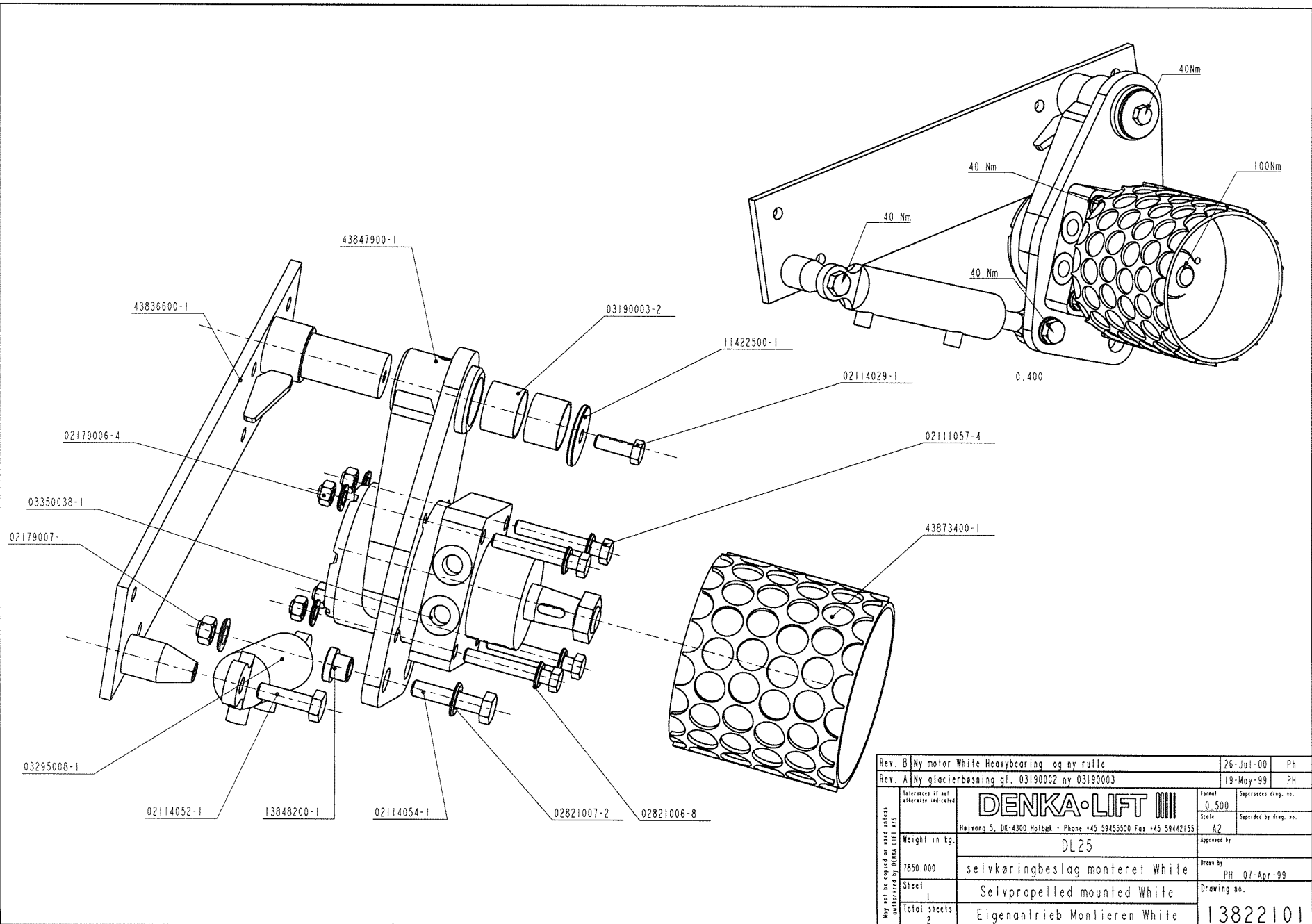


9	Bremsestang $\phi 12 \times 400$	1		PART	13841300	
8	Vaniskrue M12	1		PART	03050029	
7	BREMSESTANG $\phi 12 \times 4700$	1		PART	13844000	
6	Hammel f. $\phi 12$ bremsestang	1		PART	03010071	
5	Bowdenkabel for BT3500	2		PART	03010051	
4	Støddæmper sort 4000 kg	2		PART	03030006	
3	Støddæmperbeslag	2		PART	40504500	
2	Hjul komplet 9.5 R17.5	2		ASSEMBLY	03070016	
1	Hjulaksel BT3500	1		PART	03020055	
Item	Subject	No.	Dimension	Type	Id no.	Weight

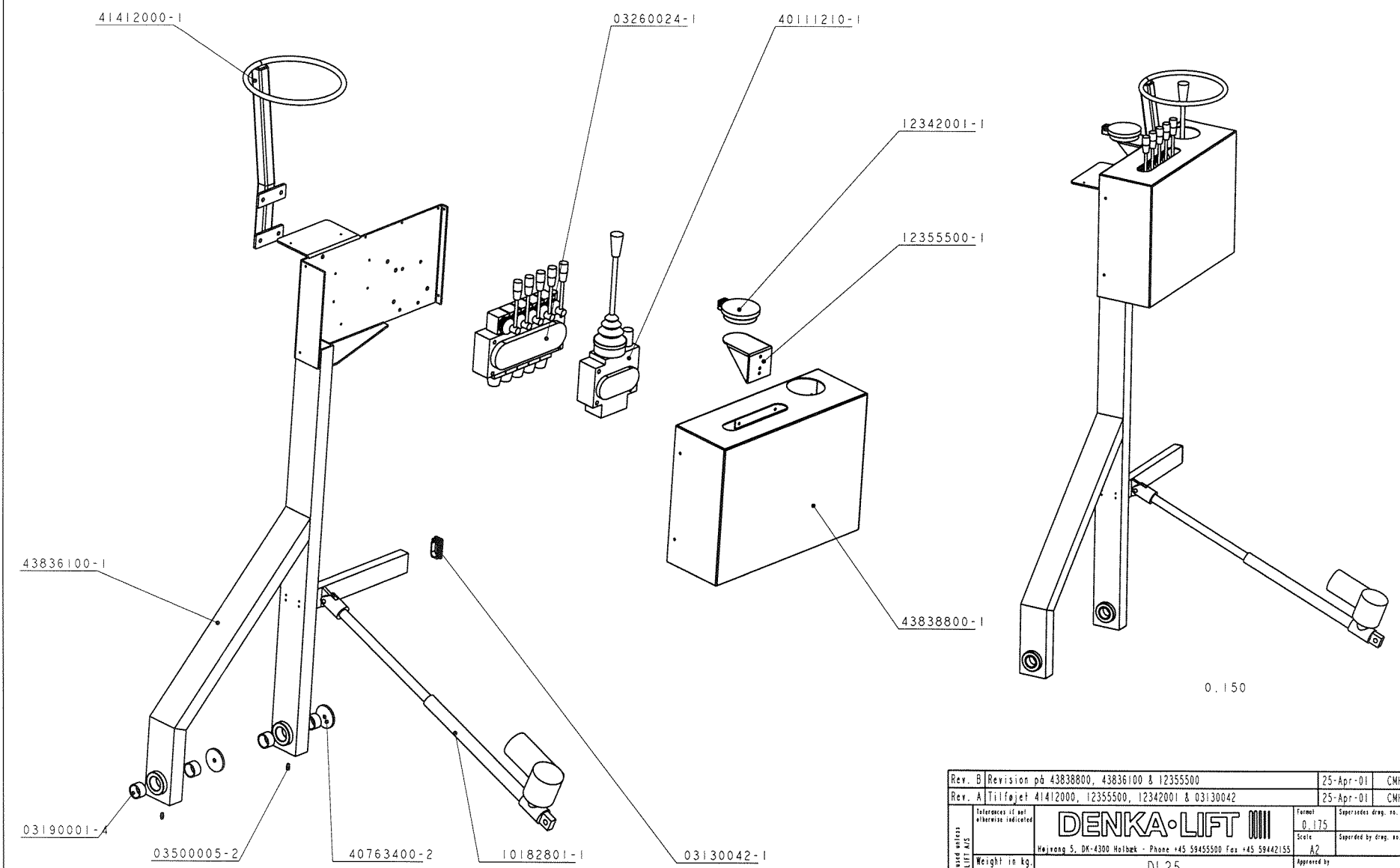
May not be copied or used unless authorized by DENKA LIFT A/S	Tolerance if not otherwise indicated	DENKA LIFT  Højvang 5, DK-4300 Holbæk - Phone +4553434748 - Telefax +4559442155	Scale	Supersedes drwg. no.
			0.100	
	Dimension mm		Format	Superseded by drwg. no.
			A3	
Weight kg		DL28	Approved by	
		Hjulaksel samlet	Draw by	
			LÖC	27-Mar-97
			Drawing no.	
				13823801




Rev. B Ny motor White Heavybearing og ny rulle		02-Jul-02	PH
Rev. A Ny glacierbøsning gl. 03190002 ny 03190003		19-May-99	PH
<small>May not be copied or used without authorization by DENKA LIFT A/S</small>	<small>Intolerance if not otherwise indicated</small>	DENKA-LIFT	
	<small>Weight in kg.</small>	<small>Format</small> 0.500	<small>Supersedes drawing no.</small>
<small>7850.000</small>	<small>Højvang 5, DK-4300 Holbæk - Phone +45 59455500 Fax +45 59442155</small>	<small>Scale</small> A2	<small>Supersedes by drawing no.</small>
<small>Sheet</small> 1	<small>Approved by</small> DL25	<small>Drawn by</small> PH 07-Apr-99	
<small>Total sheets</small> 2	<small>Drawing no.</small> Selvkøringbeslag monteret White Selvpropelled mounted White Eigenantrieb Montieren White	13821401	

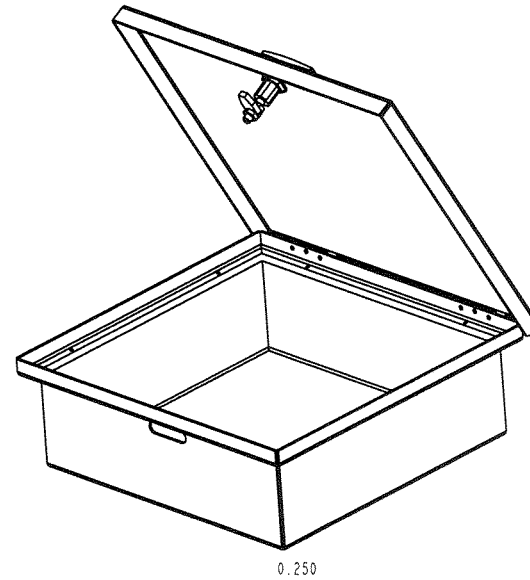
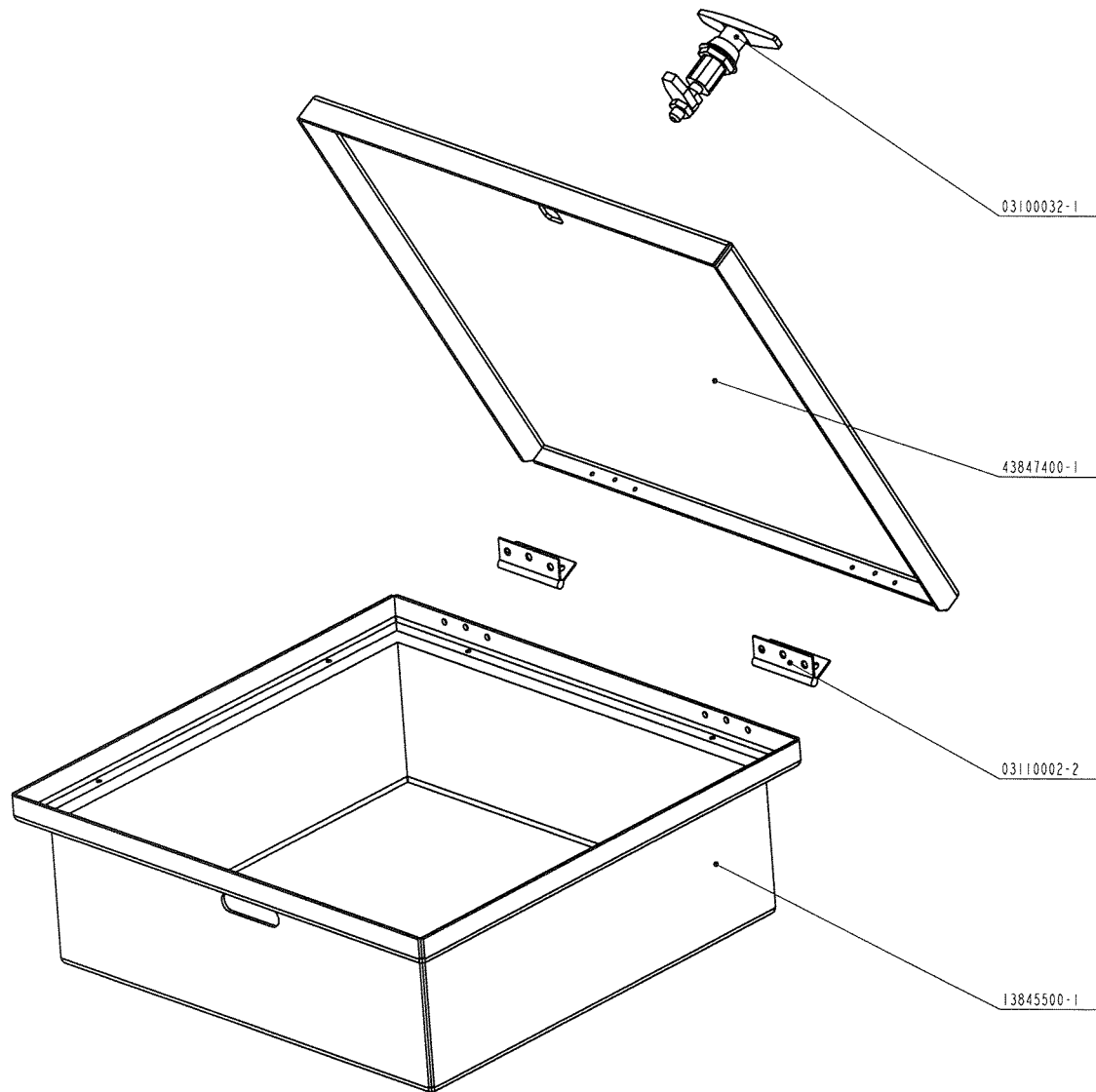


Rev. B Ny motor White Heavybearing og ny rulle		26-Jul-00	Ph
Rev. A Ny glacierbeslag gl. 03190002 ny 03190003		19-May-99	PH
May not be copied or used without authorization by DENKA LIFT A/S Tolerances if not indicated otherwise	DENKA-LIFT		Format 0.500
	Højvang S, DK-4300 Holbæk - Phone +45 59455500 Fax +45 59442155		Scale A2
	Weight in kg. 7850.000		Approved by DL25
	Sheet 1		Drawn by PH 07-Apr-99
Total sheets 2		Drawing no. 13822101	
selvkøringbeslag monteret White			
Selvpropelled mounted White			
Eigenantrieb Montieren White			



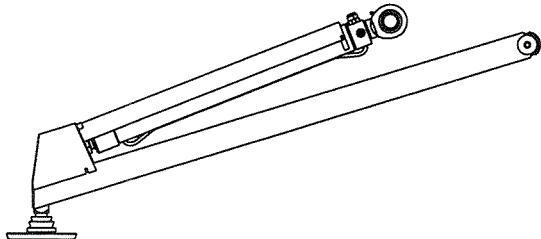
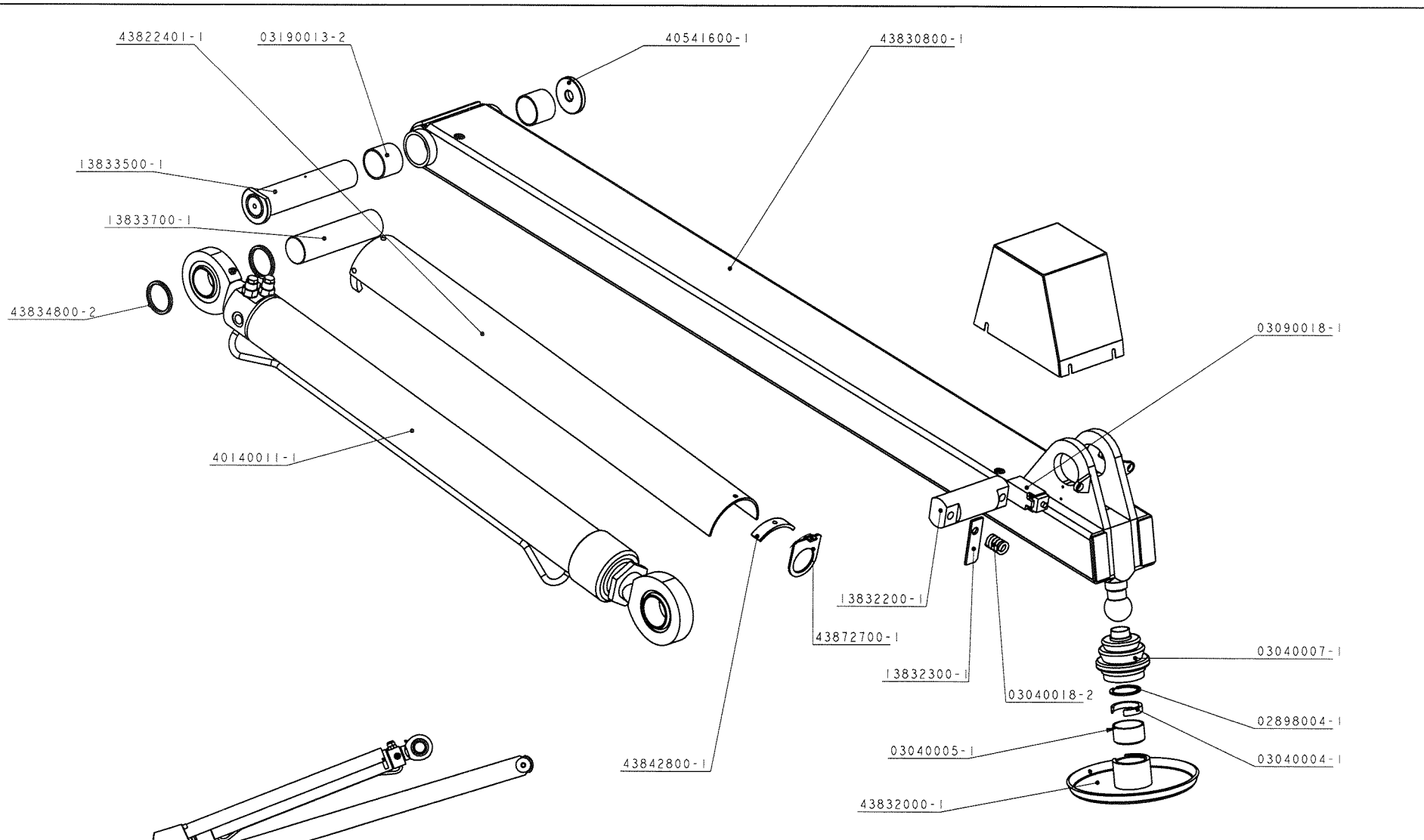
0.150

Rev. B	Revision på 43838800, 43836100 & 12355500	25-Apr-01	CMH
Rev. A	Tilføjet 41412000, 12355500, 12342001 & 03130042	25-Apr-01	CMH
May not be copied or used without authorization by DENKA LIFT A/S	Intolerances if not otherwise indicated	DENKA-LIFT  Højvang 5, DK-4300 Holbæk - Phone +45 59455500 Fax +45 59442155	
	Weight in kg.		
Sheet	Ventilholder samlet	Format	A0
Total sheets	Valve stand, mounted	Scale	A2
	Ventilständer, monteret	Approved by	LOC
		Drawn by	17-May-01
		Drawing no.	13821901



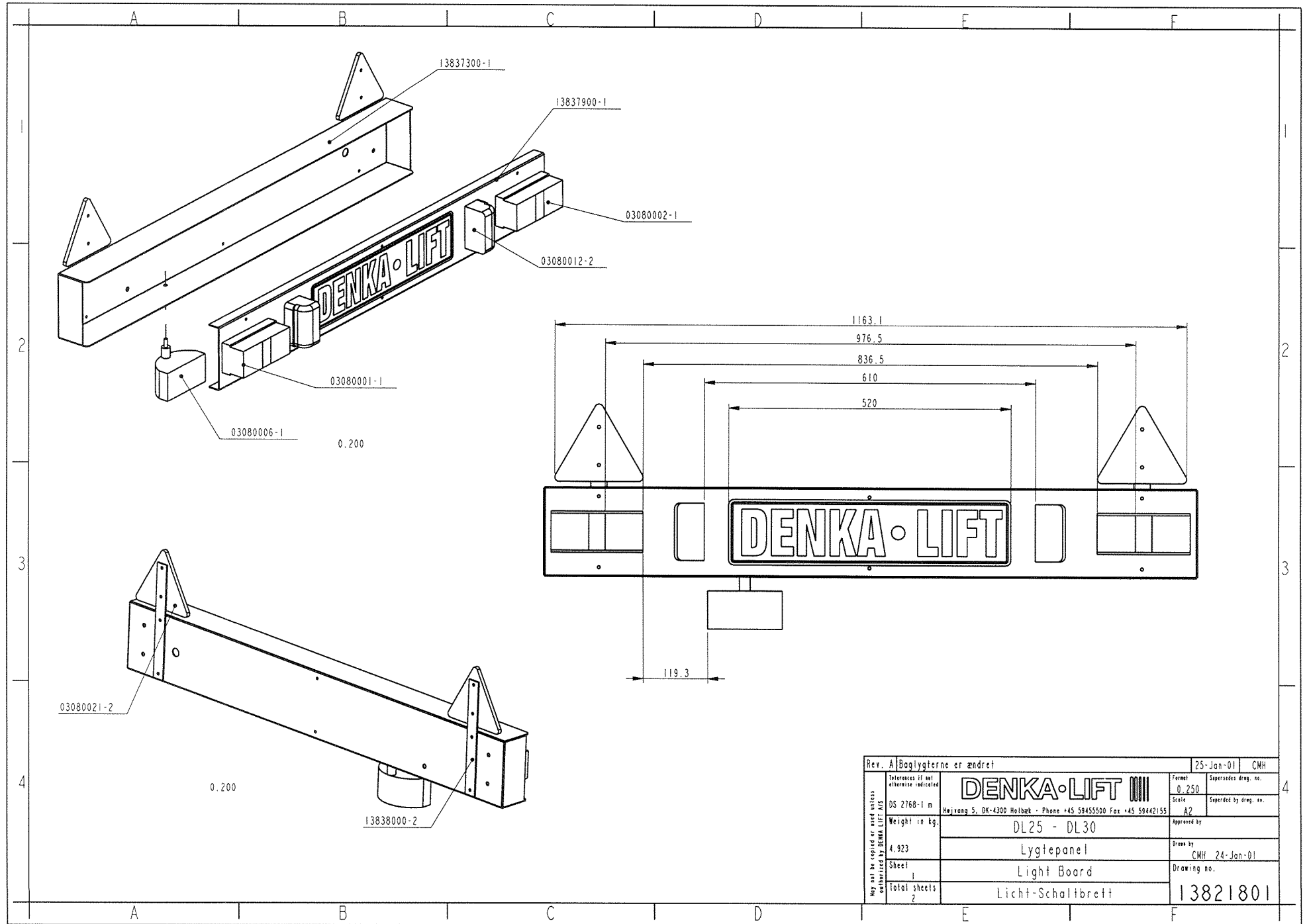
May not be copied or used without authorization by DENKA LIFT A/S	Tolerances if not otherwise indicated	DENKA·LIFT	Format 0.400	Supersedes drawing no.
	Weight in kg.	Højvang S, DK-4300 Holbæk - Phone +45 59455500 Fax +45 59442155	Scale A2	Superseded by drawing no.
	5.565	DL25/28/30	Approved by	Drawn by DB 01-Jul-99
	Sheet 1	Værktøjskasse monteret	Drawing no.	
	Total sheets 1	Tool box		
		Werkzeugkasten		


13825601

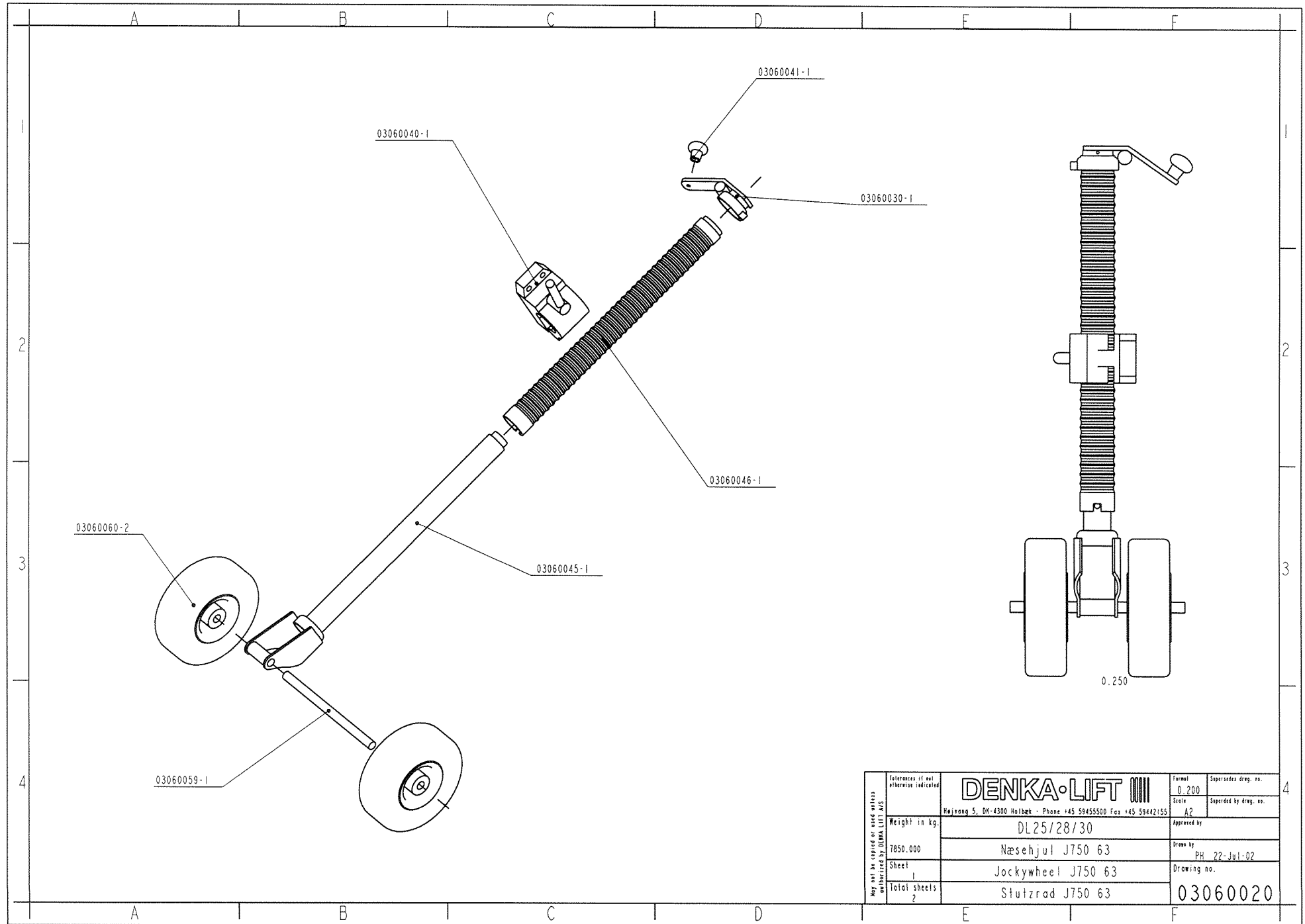


0.100

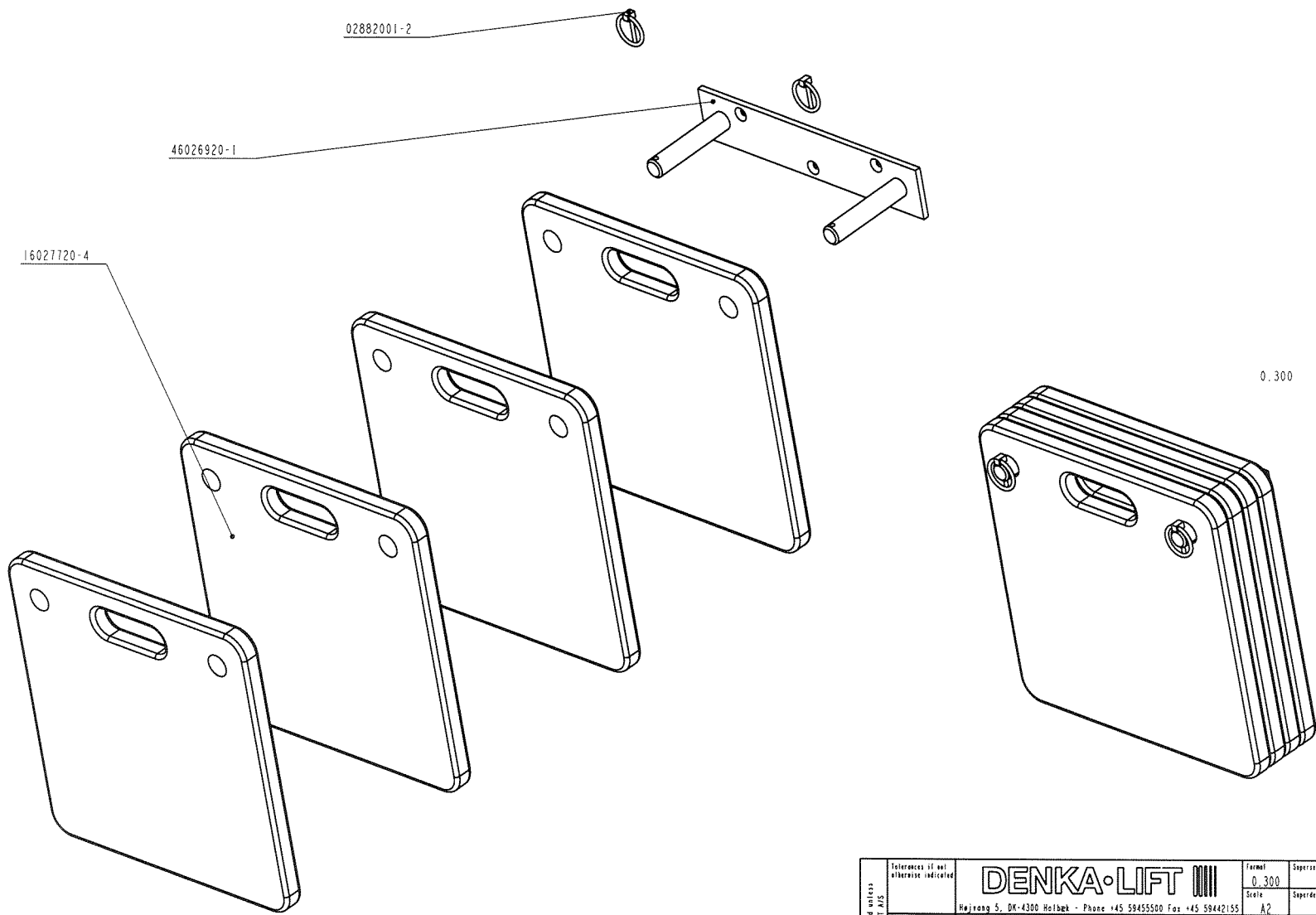
May not be copied or used without authorization by DENKA LIFT A/S	Tolerances if not otherwise indicated	DENKA-LIFT	Format 0.250	Supersedes drawing no.
	Weight in kg.	Hejringvej 5, DK-4300 Holbæk - Phone +45 59455500 Fax +45 59442155	Scale A2	Superseded by drawing no.
	Sheet	Approved by	Drawn by PH 11-Jan-02	Drawing no.
	Total sheets	DL25/DL28 Støtteben samlet		
		Outrigger mounted Stützbein komplet		
			13820501	



Rev. A Baglytterne er ændret		25-Jan-01	CMH
May not be copied or used without authorization by DENKA LIFT A/S	Intolerances if not otherwise indicated DS 2768-1 m	DENKA-LIFT 	
	Weight in kg.	DL25 - DL30	Form 0.250 Scale A2 Supersedes drawing no.
	4.923	Lygtepanel	Drawn by CMH 24-Jan-01
	Sheet 1	Light Board	Drawing no.
	Total sheets 2	Licht-Schalbrett	13821801



May not be copied or used without authorization by DENKA LIFT A/S	Tolerances if not otherwise indicated	DENKA-LIFT	Format 0.200	Supersedes drawing no.
	Weight in kg. 7850.000	Hejring 5, DK-4300 Holbæk - Phone +45 59455500 Fax +45 59442155	Scale A2	Superseded by drawing no.
	Sheet 1	Approved by DL25/28/30	Drawn by PH 22-Jul-02	
	Total sheets 2	Næsehjul J750 63	Drawing no. 03060020	
		Stutzrad J750 63		



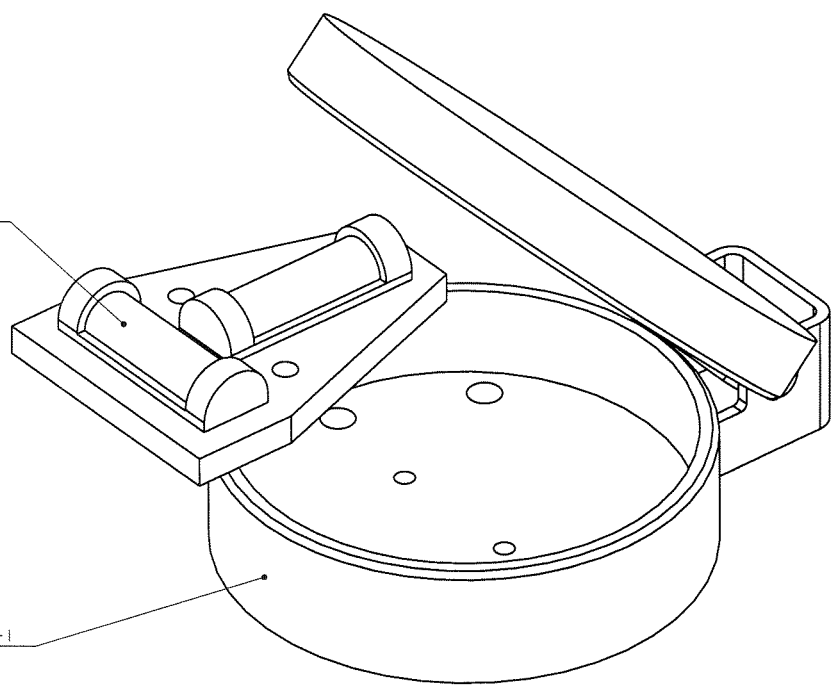
May not be copied or used unless authorized by DENKA LIFT A/S	Tolerances if not otherwise indicated	DENKA-LIFT		Format	Supersedes drawing no.
	Weight in kg.	Hejvang 5, DK-4300 Holbæk - Phone +45 59455500 Fax +45 59442155		0.300	Supersedes drawing no.
	7850.000	Komponenter		Scale	A2
	Sheet	Fodpladearrangement monteret		Approved by	
	Total sheets	Bearing plate set mounted		Drawn by	
	Bodenplattesatz montiert		DB 13-Dec-00		
			Drawing no.		
			12060401		

A | B | C | D | E | F

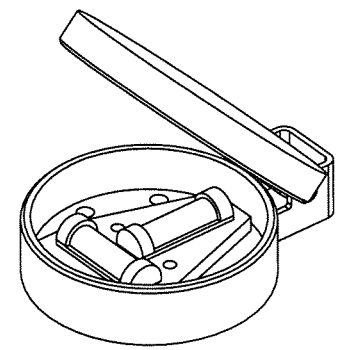
1
2
3
4

03040012-1

41411601-1



1.000



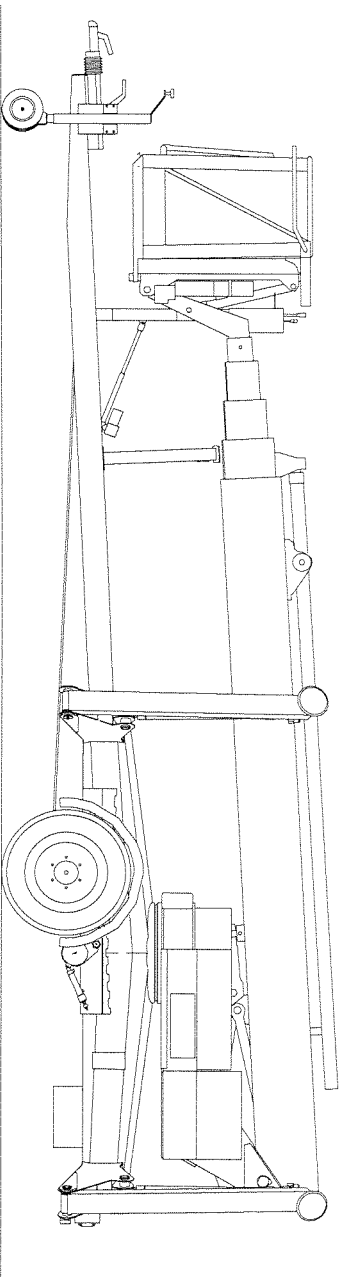
May not be copied or used without authorization by DENKA LIFT A/S	Tolerances if not otherwise indicated	DENKA LIFT	Format 2.000	Supersedes drawing no.
	Weight in kg. 0.316		Scale A2	Supersedes by drawing no.
	Sheet 1	Approved by DK8	Drawn by HØ 28-Mar-00	Drawing no. 12342001
	Total sheets 1	Libelle samlet Level mounted Libelle monteret		

A | B | C | D | E | F

**RESERVEDELS-
KATALOG**

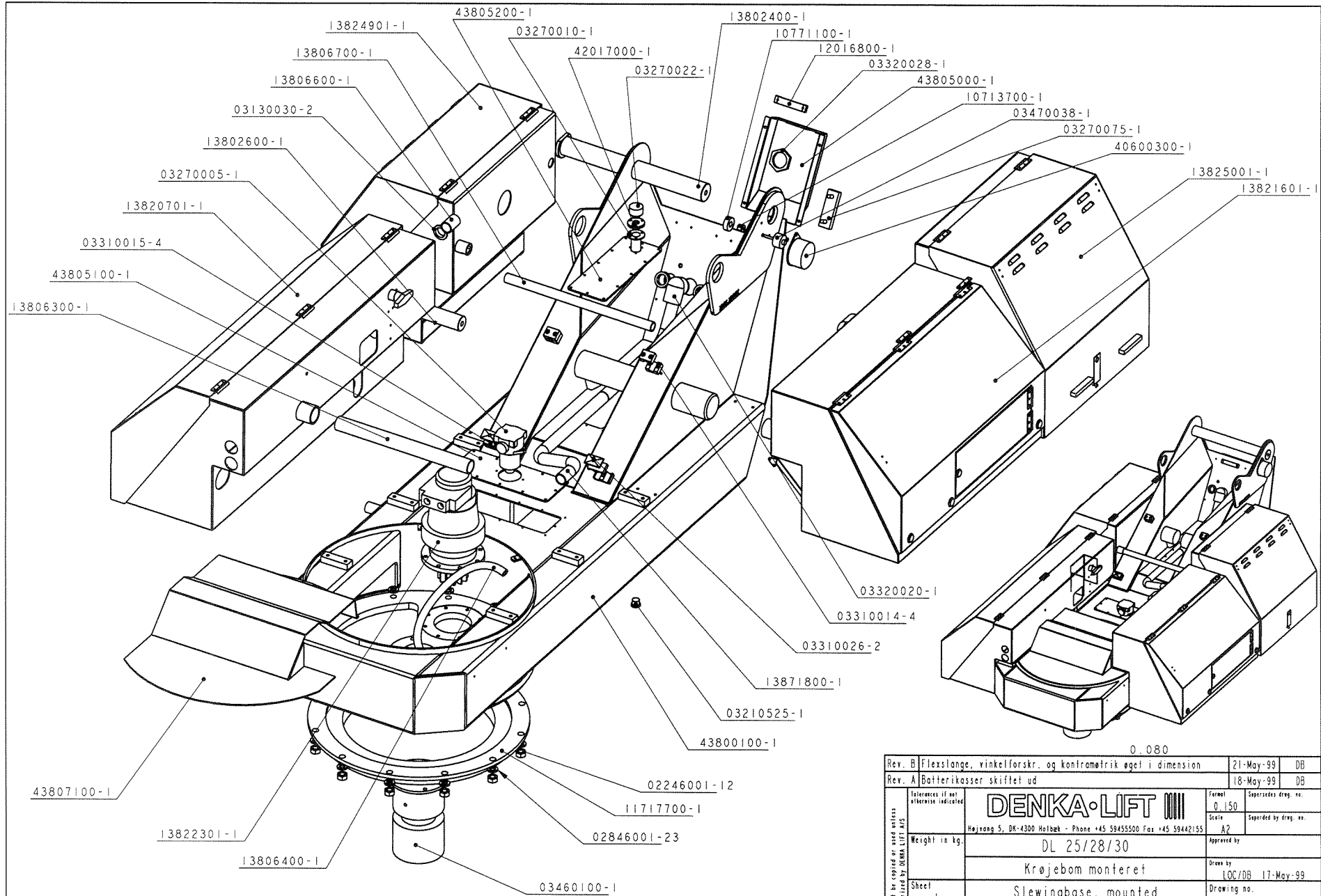
**SPARE PARTS
CATALOGUE**

**ERSATZTEILS-
KATALOG**



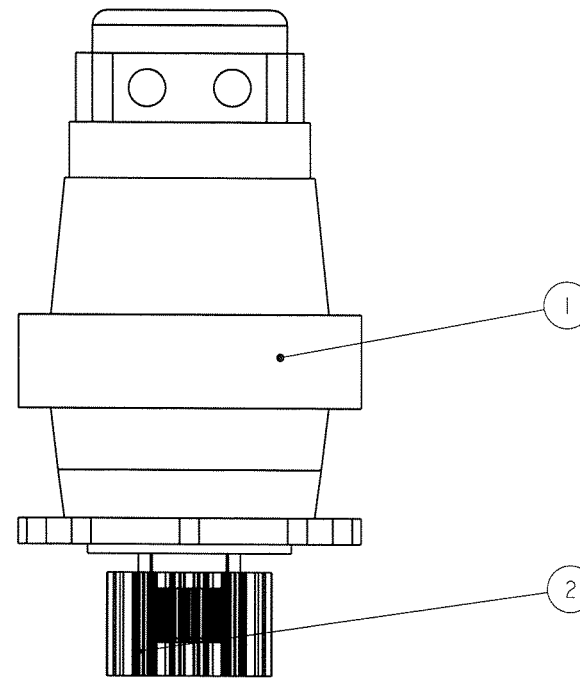
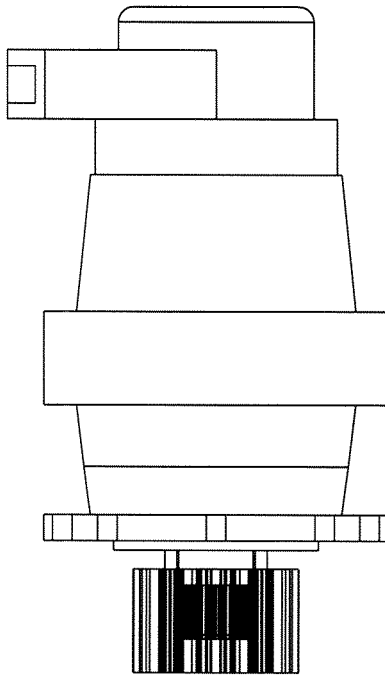
**KRØJEBOM
SLEWING BOOM
DREHSCHEMEL**


Version – 07 2004

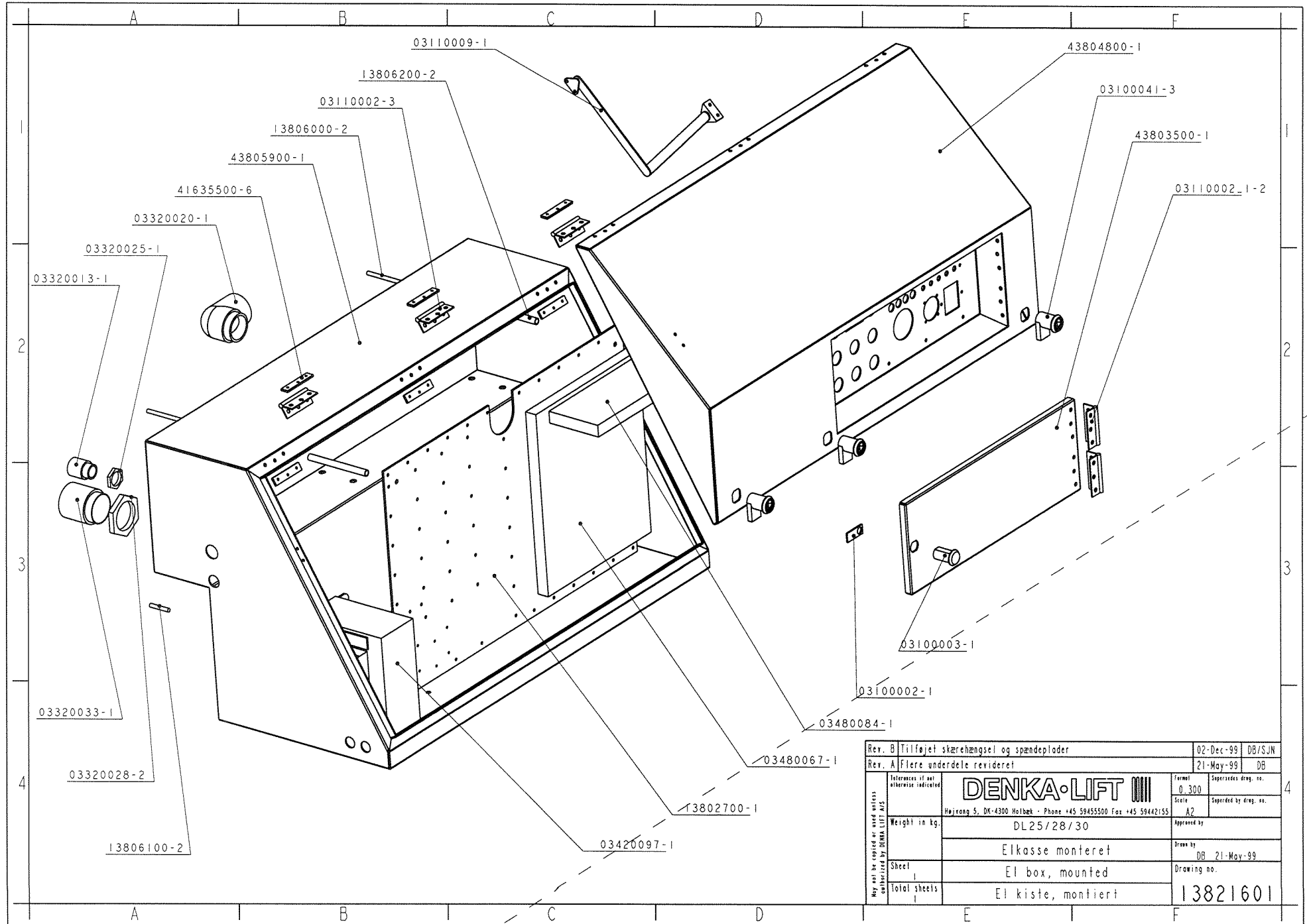


0.080

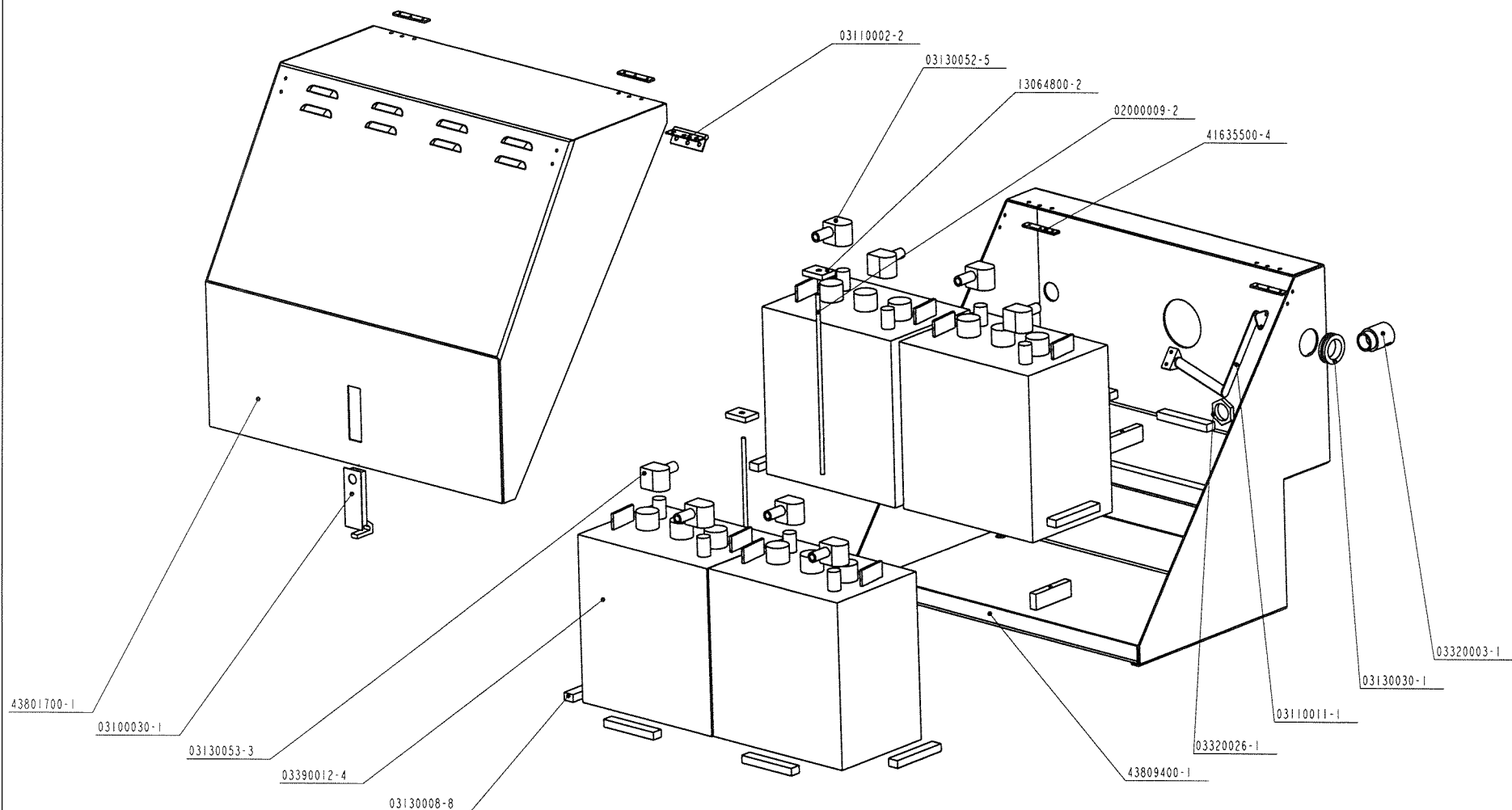
Rev. B Flexlange, vinkelforskr. og kontrametrik øget i dimension		21-May-99	DB
Rev. A Batterikasser skiftet ud		18-May-99	DB
May not be copied or used without authorized by DENKA LIFT A/S	Tolerances if not otherwise indicated	DENKA-LIFT	
	Weight in kg.	Format Scale Separated by drag. no.	Separated by drag. no.
		Approved by DL 25/28/30	Drawn by LOC/DB 17-May-99
	Sheet	Drawing no. 13820201	
Total sheets	Slewingbase, mounted Drehschremel, montiert		



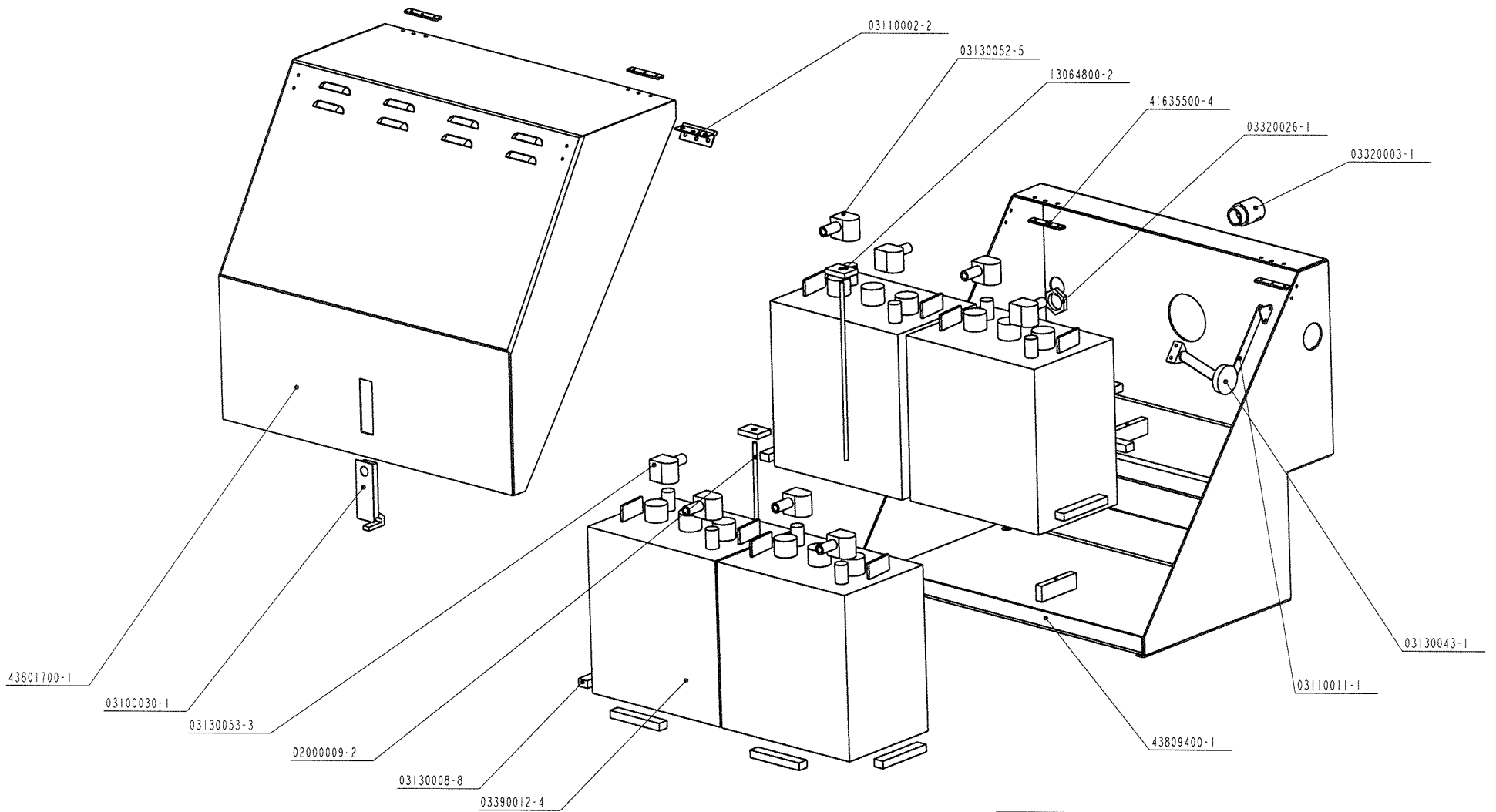
2	Tandhjul for krøjesystem	1		PART	13801200	0.18
1	Krøjegear Komplet SOM	1		PART	03170009	0.18
Item	Subject	No.	Dimension	Type	Id no.	Weight
May not be copied or used unless authorized by DENKA LIFT A/S	Tolerance if not otherwise indicated DS 326 A	DENKA-LIFT 			Scale 0.400	Supersedes drwg. no.
	Dimension mm	DL25			Format A3	Superseded by drwg. no.
	Weight kg	0.22			Approved by Draw by LÖC	31-Mar-97
		Krøjetransmission samlet			Drawing no. 13822301	



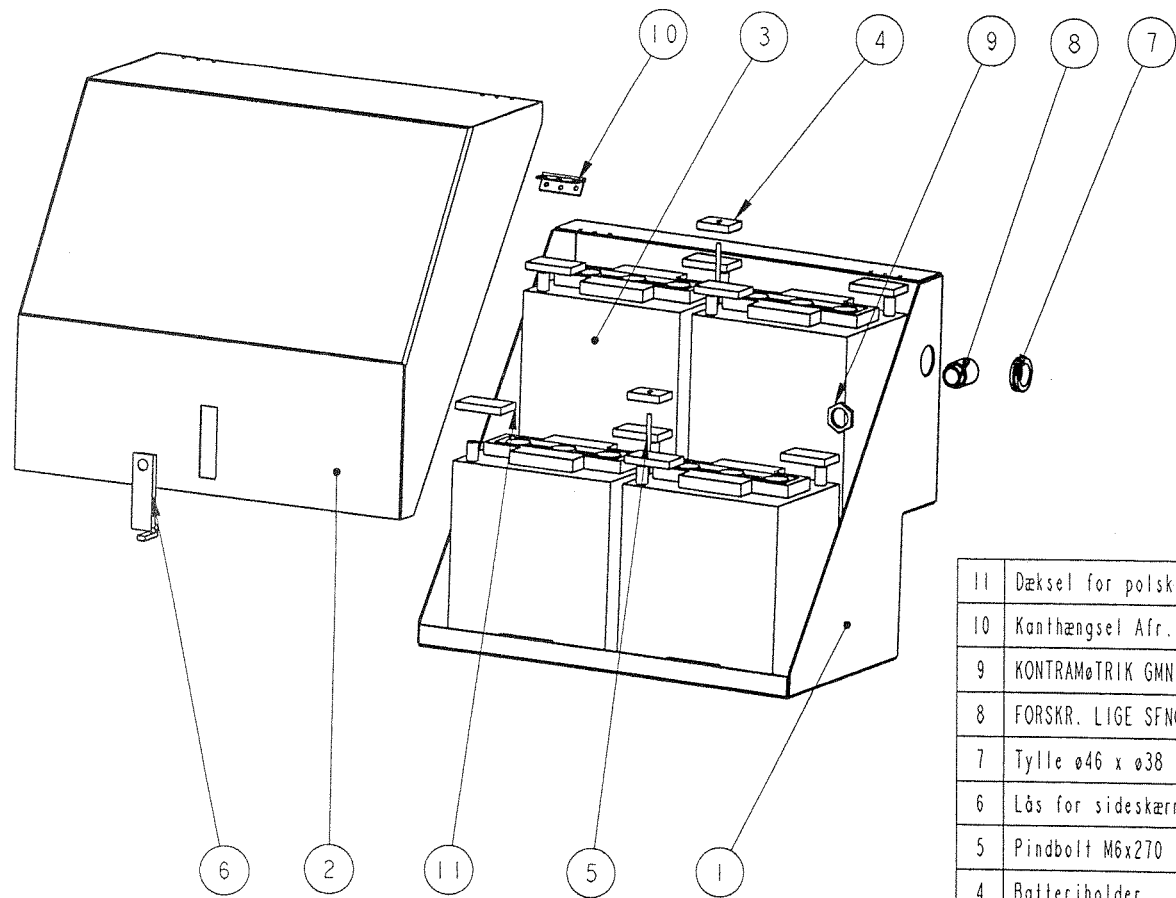
Rev. B Tilføjet skærehængsel og spændeplader		02-Dec-99	DB/SJN
Rev. A Fiere underdele revideret		21-May-99	DB
Tolerances if not otherwise indicated Weight in kg. Sheet Total sheets	DENKA-LIFT Højvang S, DK-4300 Halbak - Phone +45 59455500 Fax +45 59442155 DL25/28/30 Elkasse monteret El box, mounted El kiste, montiert	Format Scale A2 Drawn by DB 21-May-99 Drawing no. 13821601	Supersedes drwg. no. Superseded by drwg. no. Approved by



Rev. B	Flere underdele revideret	21-May-99	DB
Rev. A	Flere underdele revideret	14-May-99	DB
Interferences if not otherwise indicated	DENKA-LIFT	Format	Supersedes drawing no.
	Heizvang 5, DK-4300 Holbæk - Phone +45 59455500 Fax +45 59442155	0_250	Supersedes drawing no.
Weight in kg.	DL25128/30	Scale	A2
135.000	Batterie kasse samlet højre	Approved by	
Sheet	Complete battery box right	Drawn by	DB 14-May-99
1		Drawing no.	
Total sheets	Batterie Kasten recht		13824901
2			



Rev. B	Fleere underdele revideret	21-May-99	DB
Rev. A	Fleere underdele revideret	14-May-99	DB
May not be copied or used unless authorized by DENKA LIFT A/S	Tolerances if not otherwise indicated	DENKA-LIFT	Format: 0.250 Scale: A2
	Weight in kg.	Højvang S., DK-4300 Højbæk - Phone +45 59455500 Fax +45 59442155	Supersedes drag. no. Superseded by drag. no.
	135.000	DL25/28/30	Approved by
	Sheet 1	Batteri kasse samlet venstre	Drawn by DB 14-May-99
Total sheets 2	Complete battery box - left	Drawing no.	13825001
	Batterie Kasten Links		



11	Dæksel for polsko	8		PART	16016820	
10	Kanthængsel Afr. m. løs mess. tap	2		PART	03110002	
9	KONTRAMØTRIK GMN-21	1		PART	03320026	
8	FORSKR. LIGE SFNO-P213T	1		PART	03320003	
7	Tylle $\varnothing 46 \times \varnothing 38 \times \varnothing 32-3-11$	1		PART	03130030	
6	Lås for sideskærm	1		PART	03100001	
5	Pindbolt M6x270	2		PART	02000009	
4	Batteriholder	2		PART	13064800	
3	Batteri 6 V Deta	4		PART	03390004	30
2	Låg for batterikasse	1		PART	43801700	
1	Batterikasse svejst venstre	1		ASSEMBLY	43801500	
Item	Subject	No.	Dimension	Type	Id no.	Weight

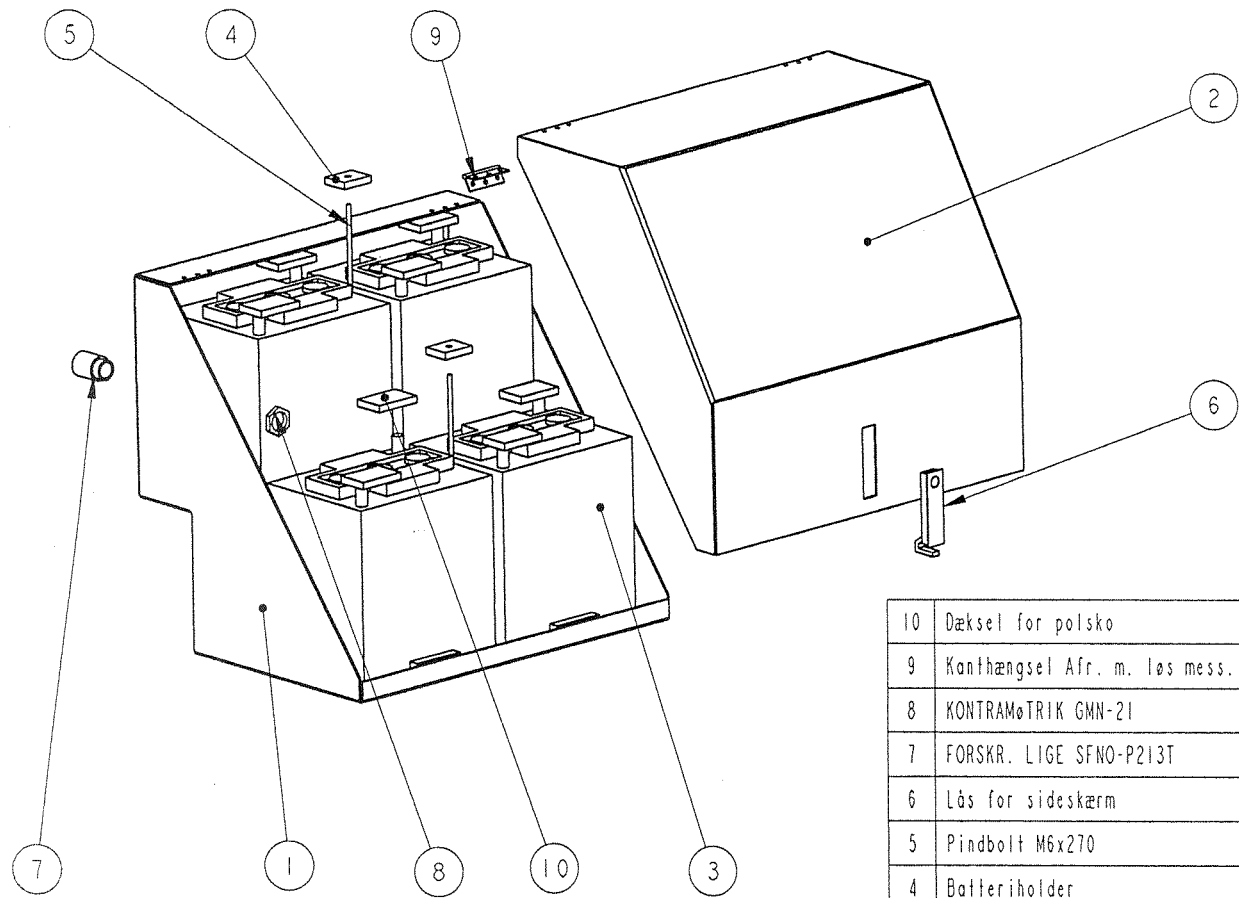
May not be copied or used unless authorized by DENKA LIFT A/S
 Tolerance if not otherwise indicated
 Dimension mm
 Weight kg

DENKA-LIFT


Høivang 5, DK-4300 Holbæk - Phone +4553434748 - Telefax +4559442155

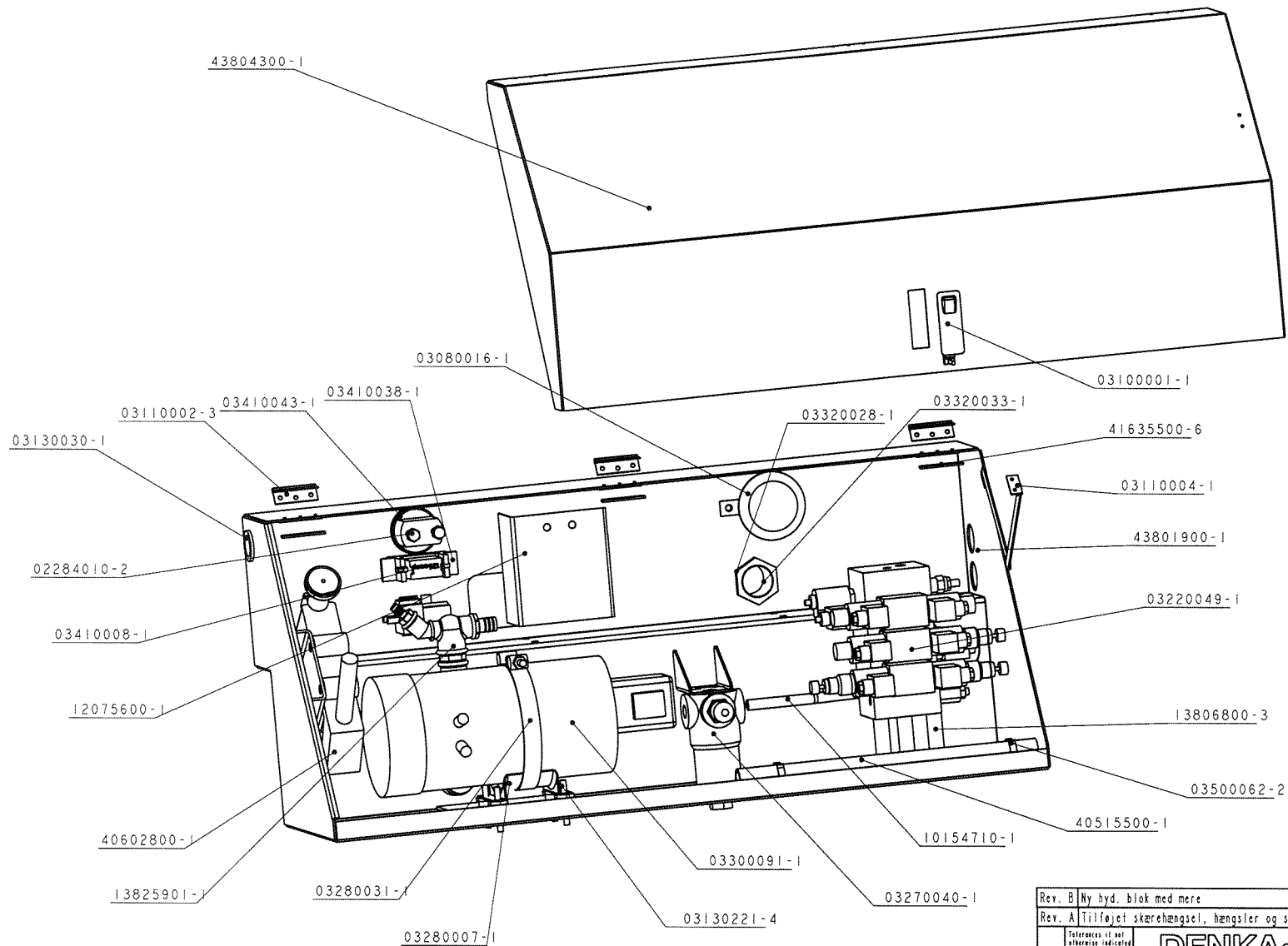
DL25	Scale 0,150 Supersedes drwg. no. Format A3 Superseded by drwg. no.
Approved by	
Draw by LOC 22-Feb-97	
Drawing no. 13820301	

Batterikasse samlet

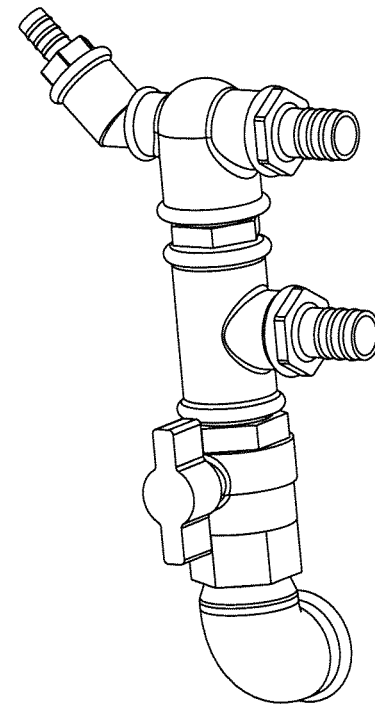
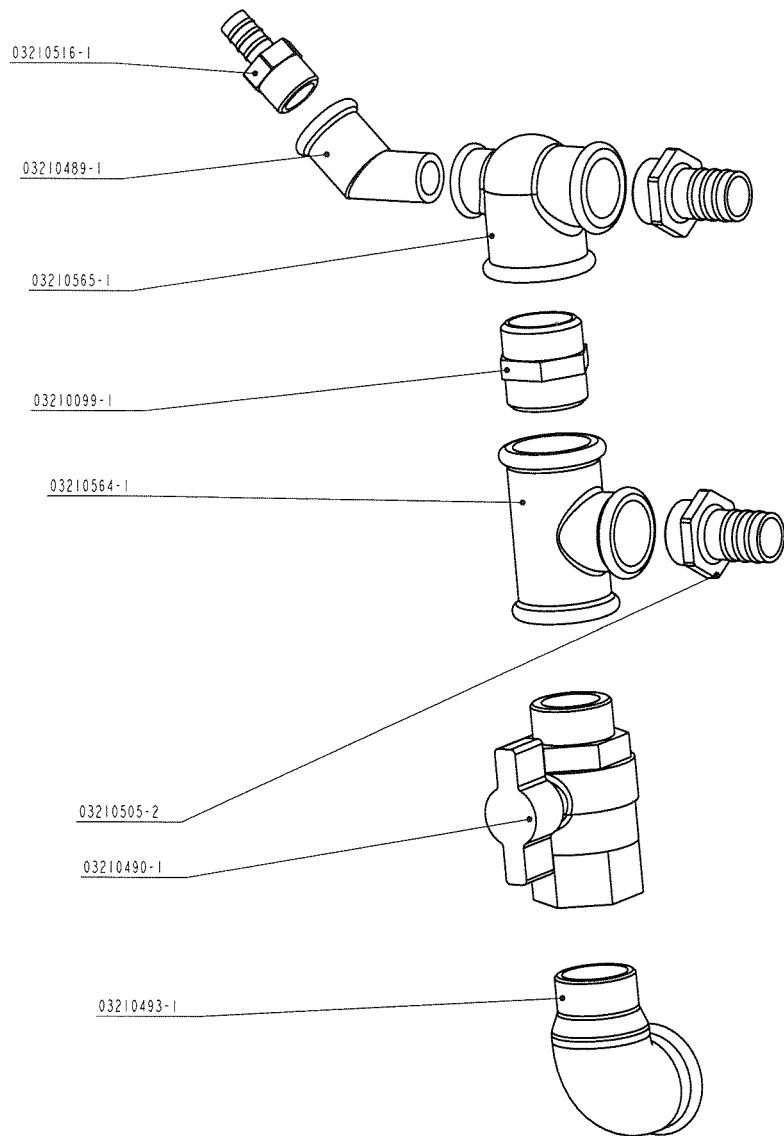



10	Dæksel for polsko	8		PART	16016820	
9	Kanthængsel Afr. m. løs mess. tap	2		PART	03110002	
8	KONTRAMØTRIK GMN-21	1		PART	03320026	
7	FORSKR. LIGE SFNO-P213T	1		PART	03320003	
6	Lås for sideskærm	1		PART	03100001	
5	Pindbolt M6x270	2		PART	02000009	
4	Batteriholder	2		PART	13064800	
3	Batteri 6 V Deta	4		PART	03390004	30
2	Låg for batterikasse	1		PART	43801700	
1	BATTERIKASSE SVEJST HØJRE	1		ASSEMBLY	43804500	

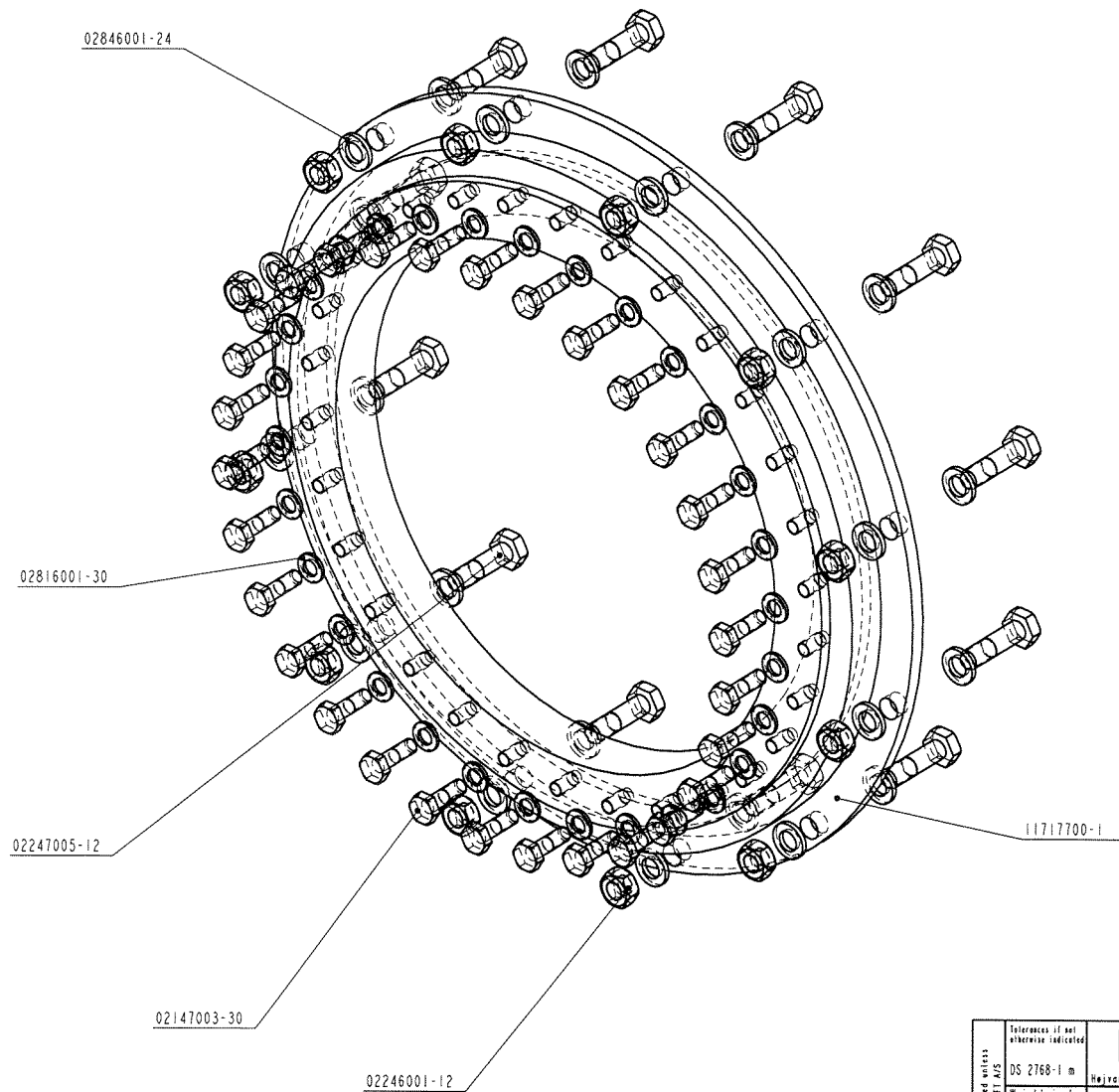
Item	Subject	No.	Dimension	Type	Id no.	Weight	
May not be copied or used unless authorized by DENKA LIFT A/S	Tolerance if not otherwise indicated		DENKA-LIFT  Højvang 5, DK-4300 Holbæk-Phone +4553434748-Telefax +4559442155		Scale	Supersedes drwg. no.	
					0.150	Superseded by drwg. no.	
	Dimension mm				Format	A3	
	Weight kg				Approved by		
		DL25		Draw by			
				LOC 22-Feb-97			
				Drawing no.			
		Batterikasse monteret højre		13821701			



Rev. B	Ny hyd. blok med mere	28-Jan-00	PH
Rev. A	Tilføjet skærehængsel, hængsler og spændplader	02-Dec-99	DB/SJH
Tolerances if not otherwise indicated May not be copied or used without authorized by DENKA LIFT A/S	DENKA-LIFT		Format 0.250 Scale A2
	Højvang 5, DK-4300 Holbæk - Phone +45 59455500 Fax +45 59442155		Supersedes drwg. no. Superseded by drwg. no.
Weight in kg.	DL25/28/30		Approved by
Sheet	Hydraulikkasse monteret		Drawn by
Total sheets	Hydraulics box, mounted		LOC 02-Dec-99
	Hydraulik kiste, monteret		Drawing no.
			13820701



May not be copied or used without authorization by DENKA LIFT A/S	Tolerances if not otherwise indicated	DENKA-LIFT 	Format	Supersedes drawing no.
			Scale	Superseded by drawing no.
	Weight in kg.	Højvang 5, DK-4300 Holbæk - Phone +45 59455500 Fax +45 59442155	A2	Approved by
	1.913	DL25	Drawn by	
	Sheet	Fittings til sugeside samlet	PH 20-Jan-00	
Total sheets		Drawing no.		
		13825901		



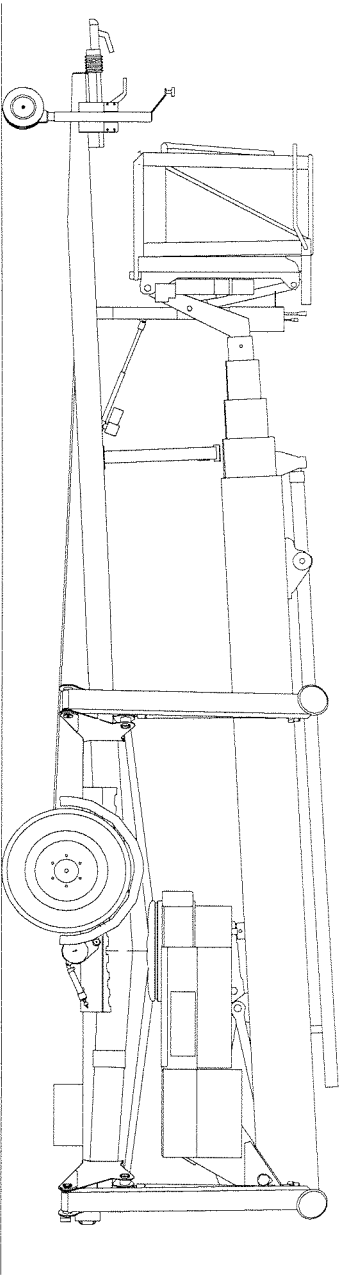
May not be copied or used without authorized by DENKA LIFT A/S	Tolerances if not otherwise indicated	DENKA-LIFT		Format	Supervisor desig. no.
	DS 2768-1 m	Hejring 5, DK-4300 Holbæk - Phone +45 59455500 Fax +45 59442155		Scale	Supervised by desig. no.
	Weight in kg.	MK5 DL25/28		Approved by	
	7850.000	Drejkrans monteret		Drawn by	
	Sheet	Slewing ring, mounted		SH 22-Dec-00	Drawing no.
Total sheets	Drehkranz montiert		13947201		

6	Slåm
5	Skive
4	Harde
3	Dreje
2	Bolt
1	Bolt

**RESERVEDELS-
KATALOG**

**SPARE PARTS
CATALOGUE**

**ERSATZTEILS-
KATALOG**



**BOM
BOOM
AUSLEGER**

Version – 07.2004

BomlBoom/Ausleger

DL25

MK25-01b Bomrør 1	Boom section 1	Ausleger Rohr 1 (missing)
MK25-02a Bomrør 2	Boom section 2	Ausleger Rohr 2
MK25-03a Bomrør 3	Boom section 3	Ausleger Rohr 3
MK25-04a Bomrør 4	Boom section 4	Ausleger Rohr 4
MK25-05a Bomrør 5	Boom section 5	Ausleger Rohr 5
MK25-06a Bom samlet	Boom assembled	Ausleger gesamt

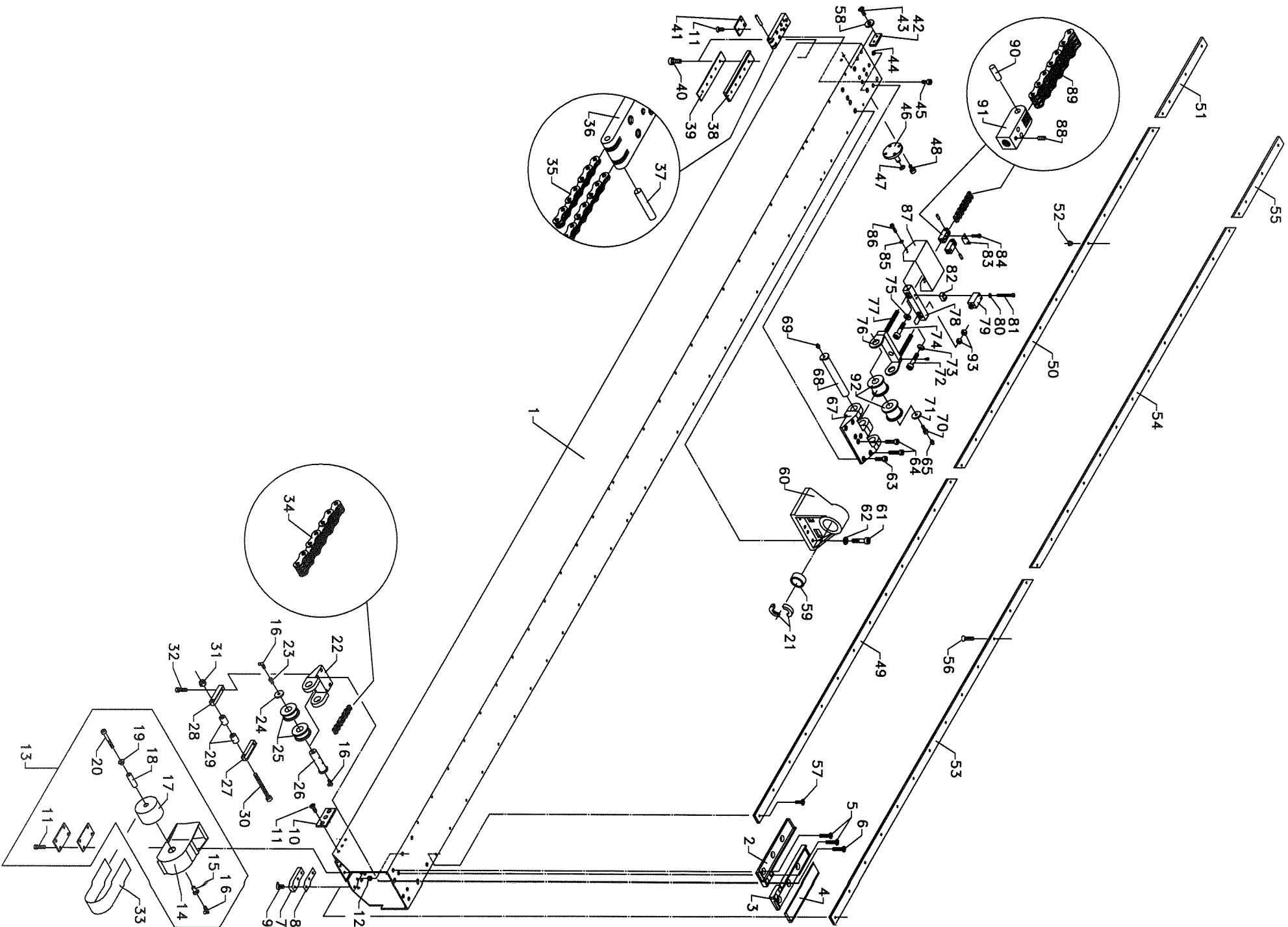


Planche MK25-02a Bomrør 2

Rev. nr
Rev.1

Dato
01-01-95

Pos nr	Vare nr	Rackrivelse	Note
1	11221402	Rør 2, standardudf.	Med glidelister
2	10725900	Glidfod f. rør 2, bag - højre	
3	10720700	Glidfod f. rør 2, bag-venstre	
4	40720800	Glidestål, rør 2 bag.	
5	02244029	Skrue UH A2 M12x40	
6	02244030	Skrue UH A2 M12x50	
7	10723300	Sides tyr	
8	10724600	Lineplade	Der findes forskellige tykkelser der skal tilpasses ved montage
9	02244018	Skrue UH A2 M8x25	
10	10722400	Sides tyr	
11	02244017	Skrue UH A2 M8x20	
12	02199007	Låsemøtrik A2 M12	
13	10723401	Vendekonsol monteret	
14	10723500	Vendekonsol	
15	10724300	Bøsning f. aksel, vendekonsol	
16	03500027	Smørenippel, M8 H3 90gr.	
17	10724100	Kabelrulle f. vendekonsol ø100	
18	10724200	Aksel f. vendekonsol	
19	10724400	Bøsning f. vendekonsol	
20	02107020	Skrue CH A2 M8x60	
21	10720600	Kuglering f. cylinder	
22	10720900	Kædehjulskonsol f. rør 2, indv	
23	03500004	Smørenippel, 1/8"RG 90gr	
24	03500000	Smørenippel, 6mm 90gr (slå)	
25	10721000	Kædehjul	
26	10721100	Aksel f.kædehjul	
27	10722600	Venstre kæderulle-holder	
28	10725200	Højre kæderulle-holder	
29	10722200	Kæderulle 25x7x34,5mm f. rør 2	
30	02127038	Bolt A2 M6x120	
31	02199004	Låsemøtrik A2 M6	
32	02107007	Skrue CH A2 M6x25	
33	03450156	Fl.kabel 7x1.5x21x0.75x33m	
34	11213102	Kæde	
35	11221702	Kæde	
36	40721700	Kædeholder, MK21	
37	02889012	Stift cylindrisk ø8.0x50	
38	10725600	Glidesko	
39	10776600	Lineplade f.glidesko	Der findes forskellige tykkelser der skal tilpasses ved montage
40	10727800	Skrue CH A2 M10x17	

Planche MK25-02a Bomrør 2

Rev. nr
Rev.1Dato
01-01-95

Pnc nr	Vara nr	Rackrivalca	Note
41	10722500	Glideplade f. rør 2-3	
42	10016922	Glideslvr m. møtrik	
43	02107009	Skrue CH A2 M6x12	
44	10722700	Gevindbøsning M12 - 4.5	
45	02107033	Skrue CH A2 M12x45	
46	14001820	Flangelap f. kædeføringsstang	
47	02897000	Låsering udv. ø15x1.0	
48	02107016	Skrue CH A2 M8x16	
49	10726300	Glideliste	
50	11220900	Glideliste	
51	11221000	Glideliste	
52	10716100	Gevindbøsning M6	
53	10715400	Glideliste	
54	11212000	Glideliste	
55	11212100	Glideliste	
56	02174005	Maskinskr. UH A2 M8x16	
57	02244113	Skrue UH A2 M6x14	
58	02818004	Skive A2 M6	
59	10720500	Kugleskål f. cylinder	
60	10720300	Cylinderkonsol f. rør 2	
61	02107031	Skrue CH A2 M12x35	Længden skal tilpasses ved montage
62	02818007	Skive A2 M12	
63	02107031	Skrue CH A2 M12x35	
64	02107033	Skrue CH A2 M12x45	
65	03500006	Smørenippel, 6mm, H1A (slå)	
67	10721200	Kædehjulskonsol rør 2 udv.	
68	10726200	Aksel f.kædehjul	
69	03500002	Smørenippel, 1/8"RG	
70	10721900	Smøreskrue f. bomrør & aksel	
71	10722000	Skive f. aksel	
72	02100030	Insex skr. CH.12.9FZB/G M12x90	
73	03500012	Tallerkenfj. 28.0x12.2x1.5	
74	02100028	Insex skr. CH.12.9FZB/G M12x75	
75	03500011	Tallerkenfj. 28.0x12.2x1.00	
76	40721400	Kædestr. beslag -Rør 2 udv.	
77	10777000	Pindbolt M12x140 f. kædeholder	
78	40724700	Kædestrammerlataske	
79	03090018	Endestop, XCK-P 510	
80	02821001	Facetskive FZB M4	
81	02151005	Maskinskrue UH 4.8 FZB M4x30	

Planche MK25-02a Bomrør 2

Rev. nr
Rev.1

Dato
01-01-95

Pnc nr	Vare nr	Redrivalse	Note
82	16008820	Kontaktbeslag 20mm	
83	16008620	Kontaktbeslag 30mm	
84	02157001	Maskinskrue CH 4.8 FZB M4x10	
85	02818003	Skive A2 M5	
86	02157008	Maskinskrue CH 4.8 FZB M5x10	
87	14000720	Beskyttelse f. kædeskr. rør 2	
88	02155012	Stopskrue A2 M5x10	
89	11221602	Kæde MK9/23/25	
90	02889009	Stift cylindrisk ø8.0x32	
91	40711600	Kædebeslag (5x5) m.M4	
91	40771000	Kædebeslag (5x5) u.M4	
92	10721300	Kædehjul	

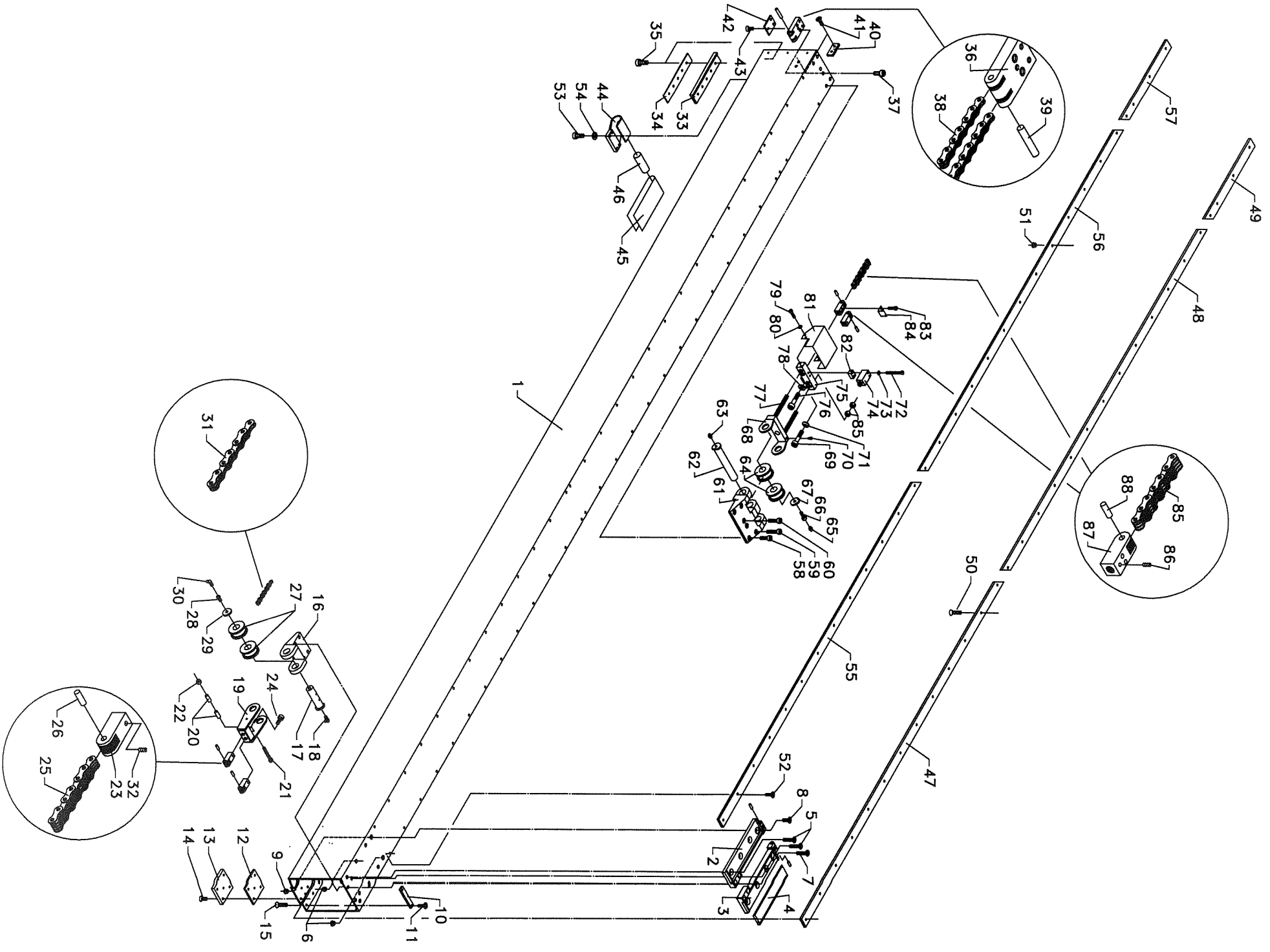


Planche MK25-03a Bomrør 3

Rev. nr
Rev.1Dato
01-01-95

Pnc nr	Vare nr	Beckrivalce	Note
1	11230902	Rør 3, standardudf.	Med glideflister
2	40733100	Gliderfod, rør 3 bag., højre	
3	40730200	Gliderfod, rør 3 bag., venstre	
4	40730300	Glidefæl, rør 3 bag.	
5	02107032	Skrue CH A2 M12x40	
6	02199007	Låsemøtrik A2 M12	
7	02107034	Skrue CH A2 M12x50	
8	02107031	Skrue CH A2 M12x35	
9	10722700	Gevindbøsning M12 - 4.5	
10	10731600	Styreplade f. fladkabel	
11	02107005	Skrue CH A2 M6x16	
12	10731700	Lineplade f. rør 3	Der findes forskellige tykkelser der skal tilpasses ved montage
13	10731300	Glideplade/sidestyv	
14	02244018	Skrue UH A2 M8x25	
15	02174005	Maskinskr. UH A2 M8x16	
16	10730400	Kædehjulskonsol f.rør 3 indv	
17	10732800	Aksel f.kædehjul	
18	03500004	Smørenippel, 1/8"RG 90gr	
19	40730600	Kædestrammer Rør 3, indv.	
20	10733000	Kæderulle 13x7x32,2mm f. rør 3	
21	02127029	Bolt A2 M6x90	
22	02199004	Låsemøtrik A2 M6	
23	40733200	Kædebeslag (4x5) u M4	
24	02107027	Skrue CH A2 M10x100	
25	11231102	Kæde	
26	02889008	Stift cylindrisk ø8.0x28	
27	10730500	Kædehjul f. rør 3 indv.(2x3)	
28	10721900	Smøreskrue f. bomrør & aksel	
29	10722000	Skrive f. aksel	
30	03500000	Smørenippel, 6mm 90gr (slå)	
31	11221702	Kæde	
32	02155012	Stopskrue A2 M5x10	
33	10732300	Glidebesk	
34	10716900	Lineplade f.glidebesk	Der findes forskellige tykkelser der skal tilpasses ved montage
35	10727800	Skrue CH A2 M10x17	
36	40731200	Kædeholder (2x3)	
37	02107032	Skrue CH A2 M12x40	
38	11213002	Kæde	
39	02889011	Stift cylindrisk ø8.0x45	
40	10016822	Glidestyr m. møtrik	

Planche MK25-03a Bomrør 3Rev. nr
Rev.1Datn
01-01-95

Pnc nr	Vara nr	Rackrivalca	Note
41	02107004	Skruer CH A2 M6x10	
42	10722500	Gliddeplade f. rør 2-3	
43	02151017	Maskinskrue UH 4.8 FZB M8x16	
44	10731400	Kabellås f. rør 3	
45	03450156	Fl.kabel 7x1.5x21x0.75x33m	
46	10733300	Rør for lås - fladkabel	
47	10726300	Glideliste	
48	11220900	Glideliste	
49	11221000	Glideliste	
50	02174005	Maskinskr. UH A2 M8x16	
51	10716100	Gevindbøsning M6	
52	02244000	Skruer UH A2 M6x13	
53	02107007	Skruer CH A2 M6x25	
54	02818004	Skive A2 M6	
55	10733600	Glideliste	
56	11230600	Glideliste	
57	11230700	Glideliste	
58	02107031	Skruer CH A2 M12x35	
59	02107033	Skruer CH A2 M12x45	
60	02107032	Skruer CH A2 M12x40	
61	10730800	Kædehjulskonsole udv.	
62	10732900	Aksel f.kædehjul	
63	03500002	Smørenippel, 1/8"RG	
64	10730900	Kædehjul	
65	03500006	Smørenippel, 6mm, H1A (slå)	
66	10721900	Smøreskrue f. bomrør & aksel	
67	10722000	Skive f. aksel	
68	40731000	Kædestr. beslag udv.	
69	02100030	Insex skr. CH.12.9FZB/G M12x90	
70	02155012	Stopskrue A2 M5x10	
71	03500012	Tallerkenf. 28.0x12.2x1.5	
72	02151005	Maskinskrue UH 4.8 FZB M4x30	
73	02821001	Facetkive FZB M4	
74	03090018	Endestop, XCK-P 510	
75	40732000	Kædestrammer-laske	
76	02100026	Insex skr. CH.12.9FZB/G M12x55	
77	10777000	Pindbolt M12x140 f. kædeholder	
78	03500011	Tallerkenf. 28.0x12.2x1.00	
79	02157008	Maskinskrue CH 4.8 FZB M5x10	
80	02818003	Skive A2 M5	

Planche MK25-03a Bomrør 3

Rev. nr
Rev.1

Dato
01-01-95

Dns nr	Vara nr	Rackrivalca	Note
81	13002420	Beskyttelse f. kædeskr.	
82	16008820	Kontaktbeslag 20mm	
83	02157001	Maskinskrue CH 4.8 FZB M4x10	
84	10004220	Kontaktbeslag 25mm	
85	11231102	Kæde	
86	02155012	Stopskrue A2 M5x10	
87	40733200	Kædebeslag (4x5) u M4	
87	40730700	Kædebeslag (4x5) m M4	
88	02889008	Stift cylindrisk ø8.0x28	

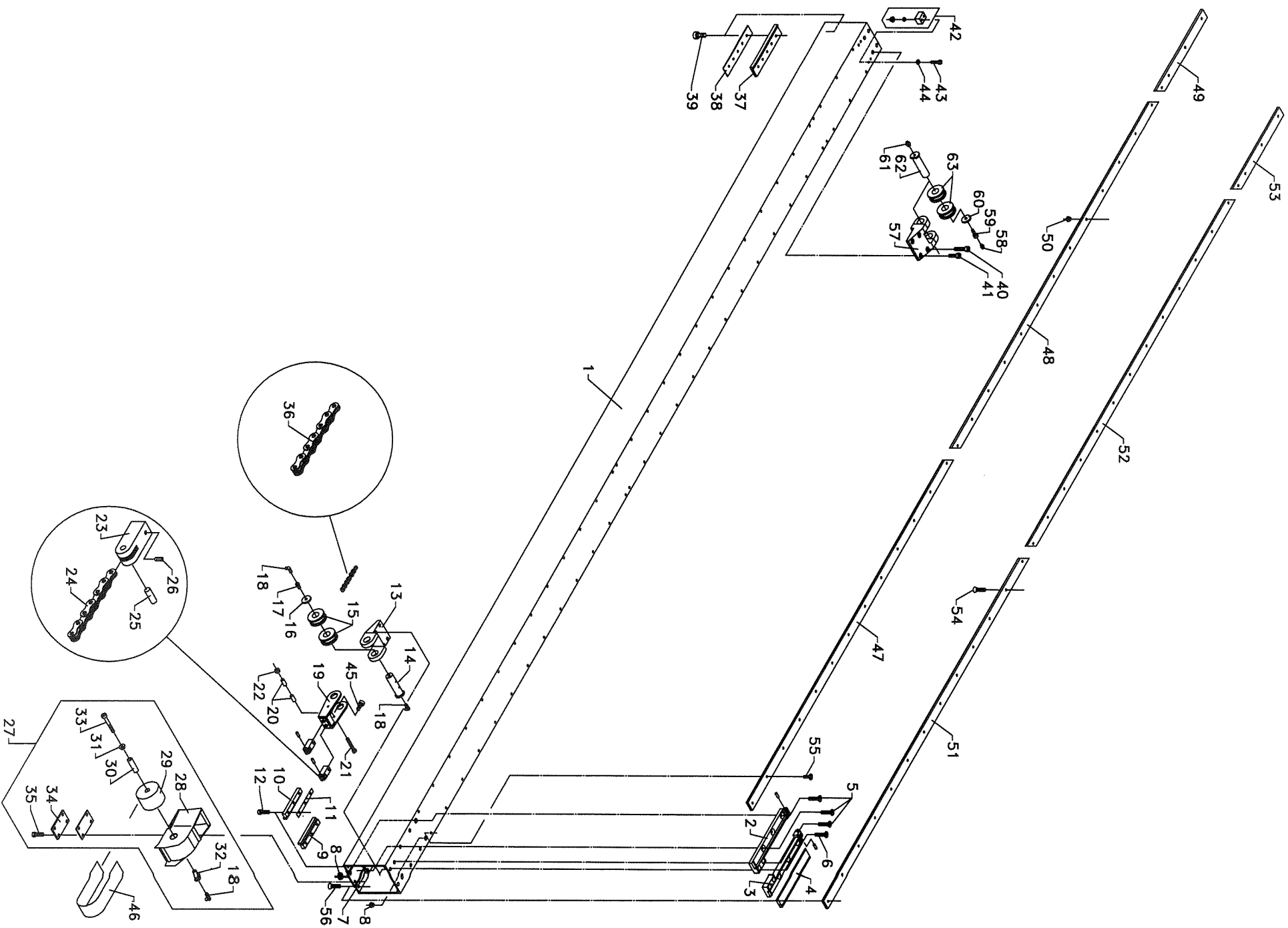


Planche MK25-04a Bomrør 4

Rev. nr
Rev.1Dato
01-01-95

Pnc nr	Varna nr	Rackrivalce	Note
1	11240401	Rør 3/4 MK 24/25, standardudf.	Med glidelister
2	40743100	Gliderod, bag, højre	
3	40740200	Gliderod, bag, venstre	
4	40740300	Glidestål, bag.	
5	02244029	Skrue UH A2 M12x40	
6	02244030	Skrue UH A2 M12x50	
7	02199005	Låsemøtrik A2 M8	
8	107222700	Gevindbøsning M12 - 4.5	
9	10743300	Bageste glidesko, venstre	
10	10741700	Bageste glidesko, højre	
11	10741800	Mellemlægsplade	Der findes forskellige tykkelser der skal tilpasses ved montage
12	02244008	Skrue UH A2 M6x20	
13	10740400	Kædehjulskonsol f.rør 4 indv.	
14	10742800	Aksel f.kædehjul	
15	10740500	Kædehjul f. rør 4 indv. (2x3)	
16	03500000	Smørenippel, 6mm 90gr (slå)	
17	03500004	Smørenippel, 1/8"RG 90gr	
18	03500027	Smørenippel, M8 H3 90gr.	
19	40740600	Kædestrammer Rør 4, indv.	
20	10743000	Kæderulle 13x7x27,5mm ,rør 3+4	
21	02127028	Bolt A2 M6x80	
22	02126004	Møtrik A2 M6	
23	40740700	Kædebeslag (2x3) u.M4	
24	11221702	Kæde	
25	02989001	Rustfri stift cylind. ø8x24	
26	02155012	Stopskruer A2 M5x10	
27	10741101	Vendekonsol kpl.	
28	10741200	Vendekonsol	
29	10724100	Kabelrulle f. vendekonsol ø100	
30	40724200	Aksel f. vendekonsol, galv.	
31	10724400	Bøsning f. vendekonsol	
32	10724300	Bøsning f. aksel, vendekonsol	
33	02244035	Skrue UH A2 M8x60	
34	10741600	Mellemlæg f. vendekonsol	
35	02244018	Skrue UH A2 M8x25	
36	11231202	Kæde	
37	10742300	Glidesko	
38	10776700	Lineplade f.glidesko	Der findes forskellige tykkelser der skal tilpasses ved montage
39	02107022	Skrue CH A2 M10x16	
40	02107033	Skrue CH A2 M12x45	

Planche MK25-04a Bomrør 4

Rev. nr
Rev.1

Dato
01-01-95

Pnc nr	Vara nr	Rackrivalce	Note
41	02107004	Skruer CH A2 M6x10	
42	10744700	Gliddeplade m. møtriker	
43	02107007	Skruer CH A2 M6x25	
44	02818004	Skive A2 M6	
45	02100025	Insex skr. CH.12.9FZB/G M12x50	
46	03450156	Fl.kabel 7x1.5x21x0.75x33m	
47	10743600	Glideliste	
48	11240500	Glideliste	
49	11240600	Glideliste	
50	10716100	Gevindbøsning M6	
51	10733600	Glideliste	
52	11230600	Glideliste	
53	11230700	Glideliste	
54	02174005	Maskinskr. UH A2 M8x16	
55	02244000	Skruer UH A2 M6x13	
56	02174005	Maskinskr. UH A2 M8x16	
57	10740800	Kædehjulskonsol udv.	
58	03500026	Smørenippel, M8 H1 lige	
59	10721900	Smøreskrue f. bomrør & aksel	
60	10722000	Skive f. aksel	
61	03500002	Smørenippel, 1/8"RG	
62	10742900	Aksel f.kædehjul	
63	10721000	Kædehjul	

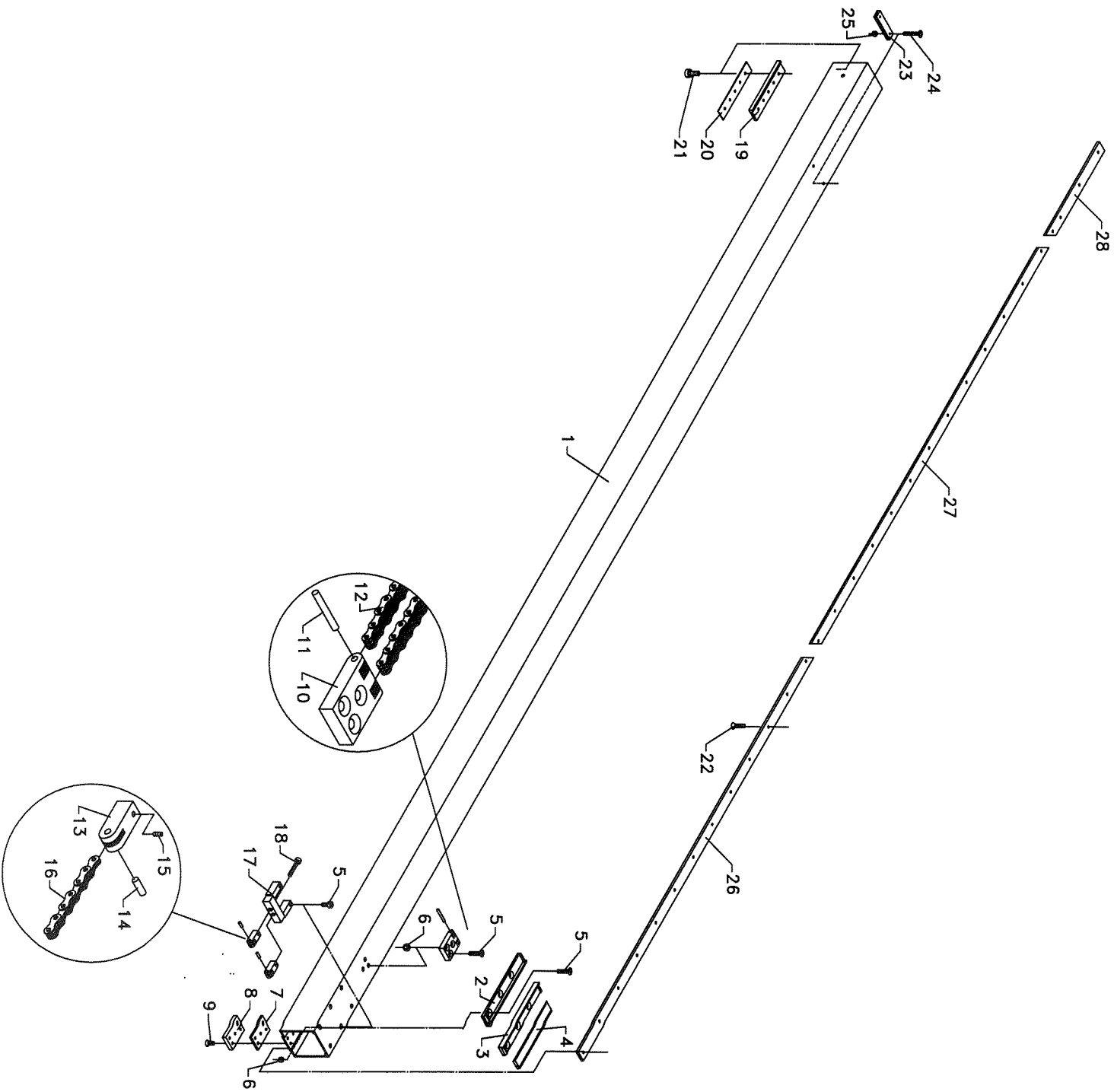


Planche MK25-05a Bomrør 5

Rav. nr
Rev.1Dato
01-01-95

Pnc nr	Vare nr	Rackrivalce	Note
1	11251501	Rør 4/5 MK 24/25, standardudf.	Med glidelister
2	10751300	Gliderod, rør 5 bag, højre	
3	10750200	Gliderod, rør 5 bag, venstre	
4	40750300	Glidestål, rør 5 bag	
5	02107032	Skrue CH A2 M12x40	
6	02199007	Låsemøtrik A2 M12	
7	10751200	Lineplade	Der findes forskellige tykkelser og der skal foretages en tilpasning ved montage
8	10750600	Glidleplade/sidestyk	
9	02244017	Skrue UH A2 M8x20	
10	40750500	Kædeholder, Rør 5 bag (4x5)	
11	02989006	Rustfri stift cylind. ø8x60	
12	11231102	Kæde	
13	40740700	Kædebeslag (2x3) u.M4	
14	02989001	Rustfri stift cylind. ø8x24	
15	02155012	Stopskruer A2 M5x10	
16	11231202	Kæde	
17	40750400	Kædestrammer, Rør 5	
18	02100025	Insex skr. CH.12.9FZB/G M12x50	
19	10743600	Glideliste	
20	11240500	Glideliste	
21	11240600	Glideliste	
22	02174008	Maskinskr. UH A2 M6x25	
23	10751000	Kabelås f. Forlængerbom	
24	02244013	Skrue UH A2 M6x50	
25	02199004	Låsemøtrik A2 M6	

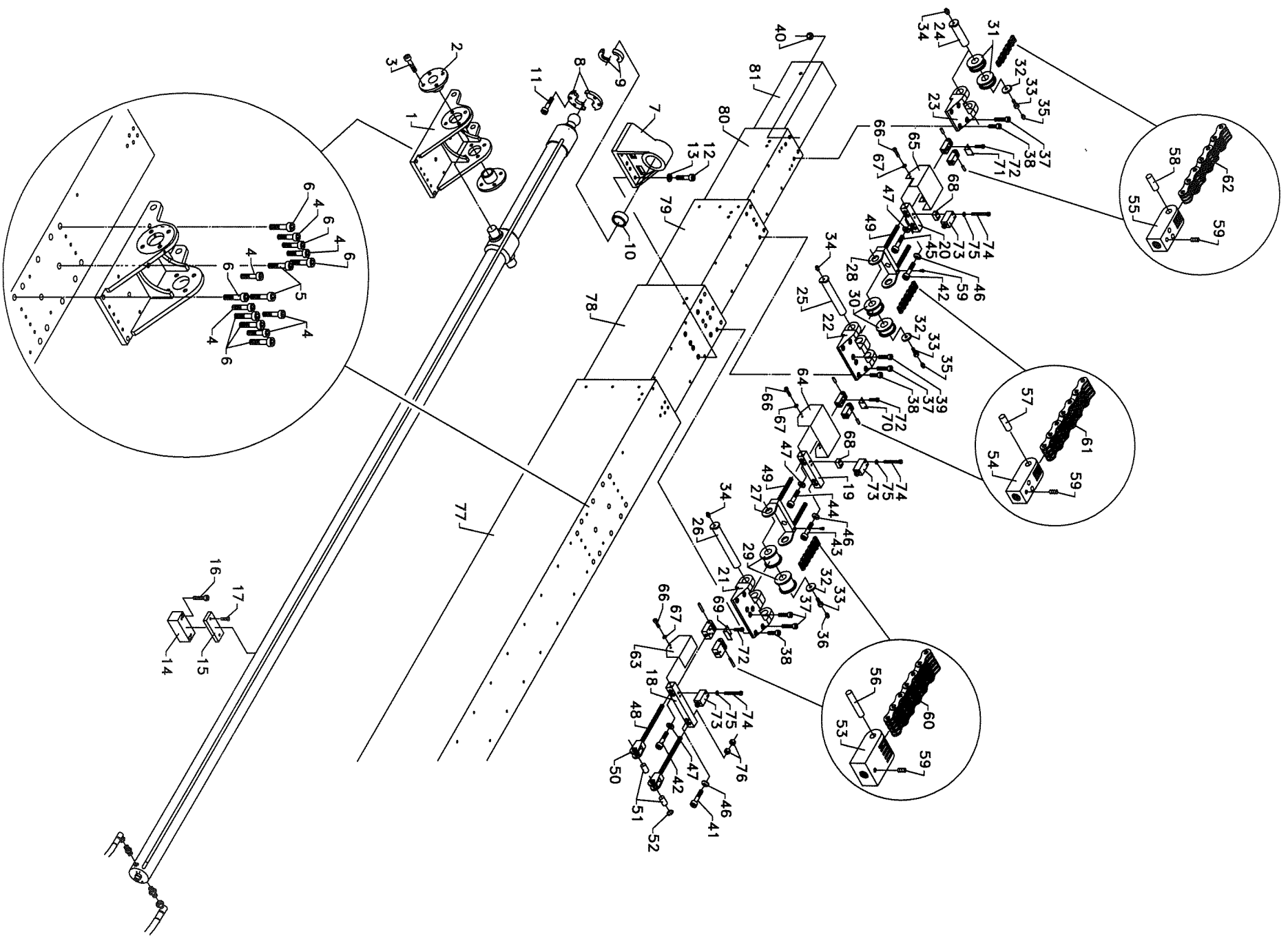


Planche MK25-06a Bom samlet

Rev. nr
Rev.1Dato
01-01-95

Pos nr	Vare nr	Beskrivelse	Note
1	10710200	Cylinderkonsol f. rør 1	
2	10710300	Flange for cylinderkonsol	
3	02107029	Skrue CH A2 M12x25	
4	10775800	Skrue CH A2 M12x28	
5	10775900	Skrue CH A2 M12x33	
6	02107030	Skrue CH A2 M12x30	
7	10720300	Cylinderkonsol f. rør 2	
8	10720400	Dæksel f. cylinderkonsol	
9	10720600	Kuglering f. cylinder	
10	10720500	Kugleskål f. cylinder	
11	02107030	Skrue CH A2 M12x30	
12	02107031	Skrue CH A2 M12x35	Skal tilpasses ved montage
13	02818007	Skive A2 M12	
14	10714300	Understøtning f. bomcylinder	
15	10771700	Gummiplade undrst. bomcylinder	
16	02107018	Skrue CH A2 M8x45	
17	02107007	Skrue CH A2 M6x25	
18	40717300	Kædestr.laske Rør1, Tysk, galv	
19	40724700	Kædestrammerlaske	
20	40732000	Kædestrammer-laske	
21	10721200	Kædehjultskonsol rør 2 udv.	
22	10730800	Kædehjultskonsol udv.	
23	10740800	Kædehjultskonsol udv.	
24	10742900	Aksel f.kædehjul	
25	10732900	Aksel f.kædehjul	
26	10726200	Aksel f.kædehjul	
27	40721400	Kædestr.beslag -Rør 2 udv.	
28	40731000	Kædestr.beslag udv.	
29	10721300	Kædehjul	
30	10730900	Kædehjul	
31	10721000	Kædehjul	
32	10722000	Skive f. aksel	
33	10721900	Smøreskrue f. bomrør & aksel	
34	03500002	Smørenippel, 1/8"RG	
36	03500006	Smørenippel, 6mm, H1A (slå)	
37	02107033	Skrue CH A2 M12x45	
38	02107031	Skrue CH A2 M12x35	
39	02107032	Skrue CH A2 M12x40	
40	02199007	Låsemøtrik A2 M12	
41	02100028	Insex skr. CH.12.9FZB/G M12x75	

Planche MK25-06a Bom samlet

Rav. nr
Rev.1Dato
01-01-95

Pos. nr	Vare nr	Beckrivalca	Note
42	02100030	Insex skr. CH.12.9FZB/G M12x90	
43	02100029	Insex skr. CH.12.9FZB/G M12x80	
44	02100027	Insex skr. CH.12.9FZB/G M12x60	
45	02100026	Insex skr. CH.12.9FZB/G M12x55	
46	03500012	Tallerkenfj. 28.0x12.2x1.5	
47	03500011	Tallerkenfj. 28.0x12.2x1.00	
48	10774300	Pindbolt M12x230 f. kædeholder	
49	10777000	Pindbolt M12x140 f. kædeholder	
50	40711400	Kædestrammerbeslag	
51	10714400	Aksel f. kædestrammerbeslag	
52	02497002	Låsering, udv. ø20x1.2 A2	
53	40771000	Kædebeslag (5x5) u.M4	
53	40711600	Kædebeslag (5x5) m.M4	
54	40726500	Kædebeslag (3x3) u.M4	
54	40721600	Kædebeslag (3x3) m.M4	
55	40733200	Kædebeslag (4x5) u M4	
55	40730700	Kædebeslag (4x5) m M4	
56	02889011	Stift cylindrisk ø8.0x45	
57	02889009	Stift cylindrisk ø8.0x32	
58	02889008	Stift cylindrisk ø8.0x28	
59	02155012	Stopskrue A2 M5x10	
60	11213002	Kæde	
61	11221602	Kæde MK9/23/25	
62	11231102	Kæde	
63	14000820	Beskyttelse f. kædesikr. rør 1	
64	14000720	Beskyttelse f. kædesikr. rør 2	
65	13002420	Beskyttelse f. kædesikr.	
66	02157008	Maskinskrue CH 4.8 FZB M5x10	
67	02818003	Skive A2 M5	
68	16008820	Kontaktbeslag 20mm	
69	16008720	Kontaktbeslag 42mm	
70	16008620	Kontaktbeslag 30mm	
71	10004220	Kontaktbeslag 25mm	
72	02157001	Maskinskrue CH 4.8 FZB M4x10	
73	03090018	Endestop, XCK-P 510	
74	02151005	Maskinskrue UH 4.8 FZB M4x30	
75	02821001	Facetskive FZB M4	
76	02115006	Stålmøtrik 8 FZB M12	
77	11210802	Rør 1, standardduft.	Med gidelister
78	11221402	Rør 2, standardduft.	

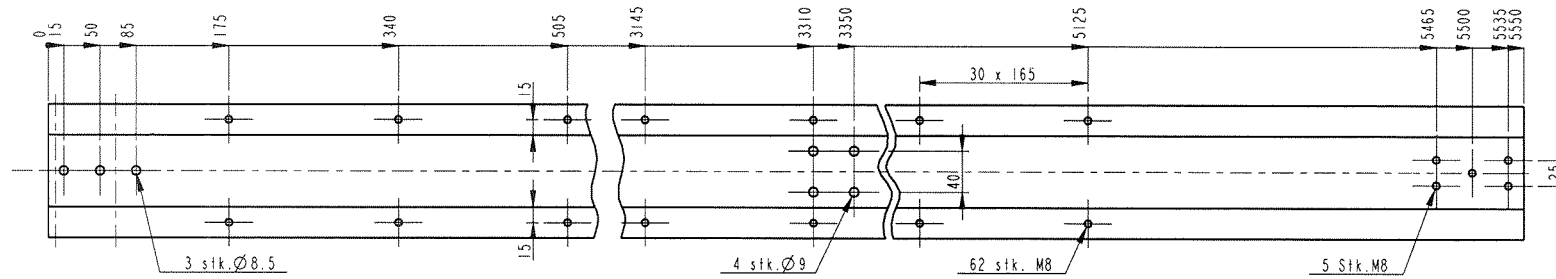
Planche MK25-06a Bom samlet

Rev nr
Rev.1

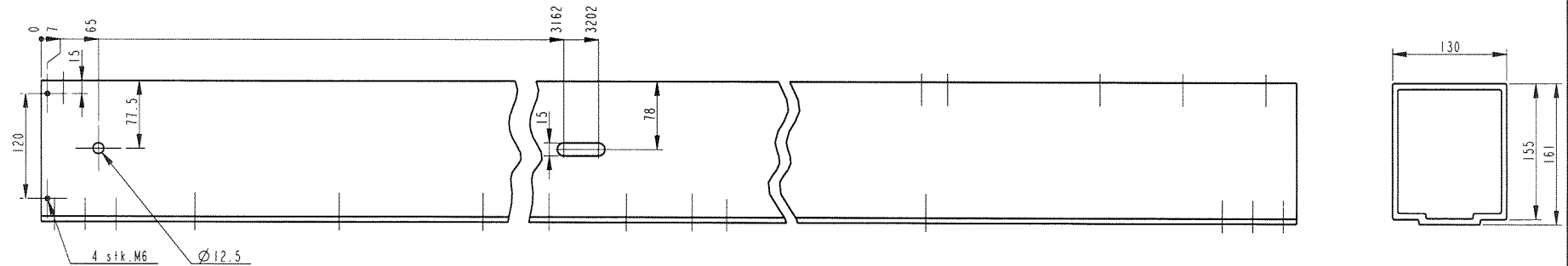
Dato
01-01-95

Doc nr	Vara nr	Beckrivelse	Note
79	11230902	Rør 3, standardutf.	Med glidelister
80	11240401	Rør 3/4 MK 24/25, standardutf.	Med glidelister
81	11251501	Rør 4/5 MK 24/25, standardutf.	Med glidelister

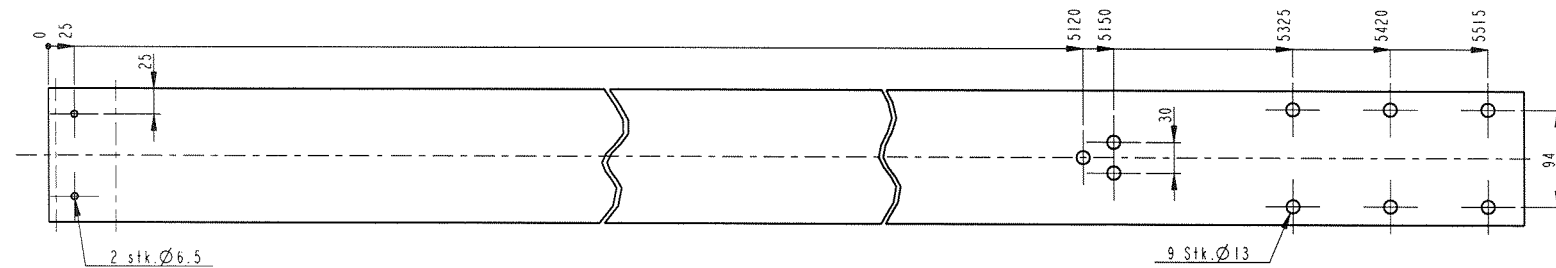
Side 1
13892301



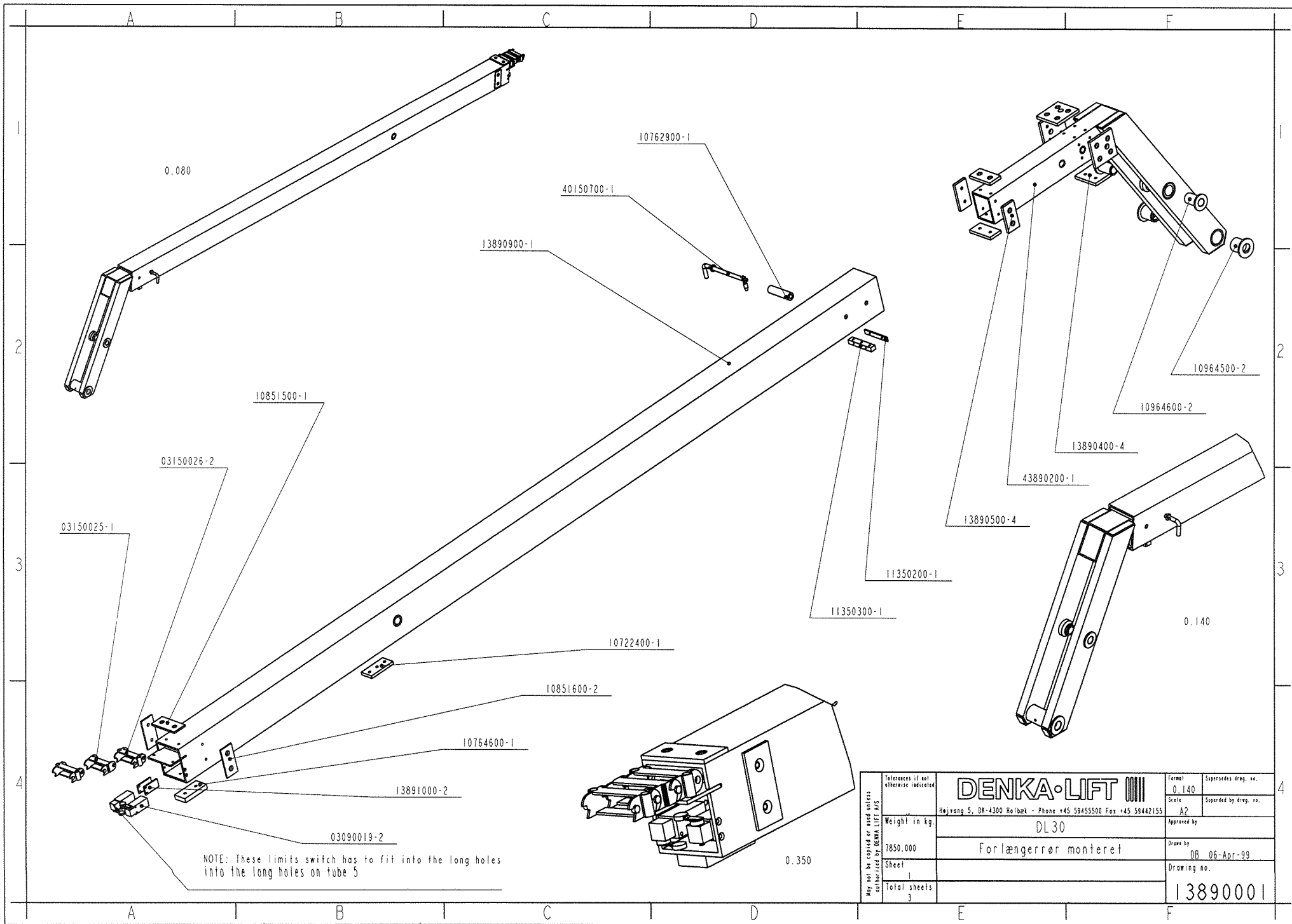
Side 3
13892303



Side 2
13892302



Rev. C Tilrettet til boremaskine				03-Jan-01	MFM
1	Rørprofil 7500	10750000	AW-6063	EN 755-2	
Item	Subject	No.	Quality	Standard	Id no. Weight
May not be copied or used unless authorized by DENKA LIFT A/S	Tolerances if not otherwise indicated			Scale	Supersedes drag. no.
	DS 2768-1 f			0_300	Supersedes by drag. no.
	Weight in kg.	DL30		Format	A2
	Dimension in mm	Rør 5 boret		Approved by	
				Drawn by	MFM 03-Jul-00
				Drawing no.	13892300



0.080

10762900-1

40150700-1

13890900-1

10851500-1

03150026-2

03150025-1

10964500-2

10964600-2

13890400-4

43890200-1

13890500-4

11350200-1

11350300-1

10722400-1

10851600-2

10764600-1

13891000-2

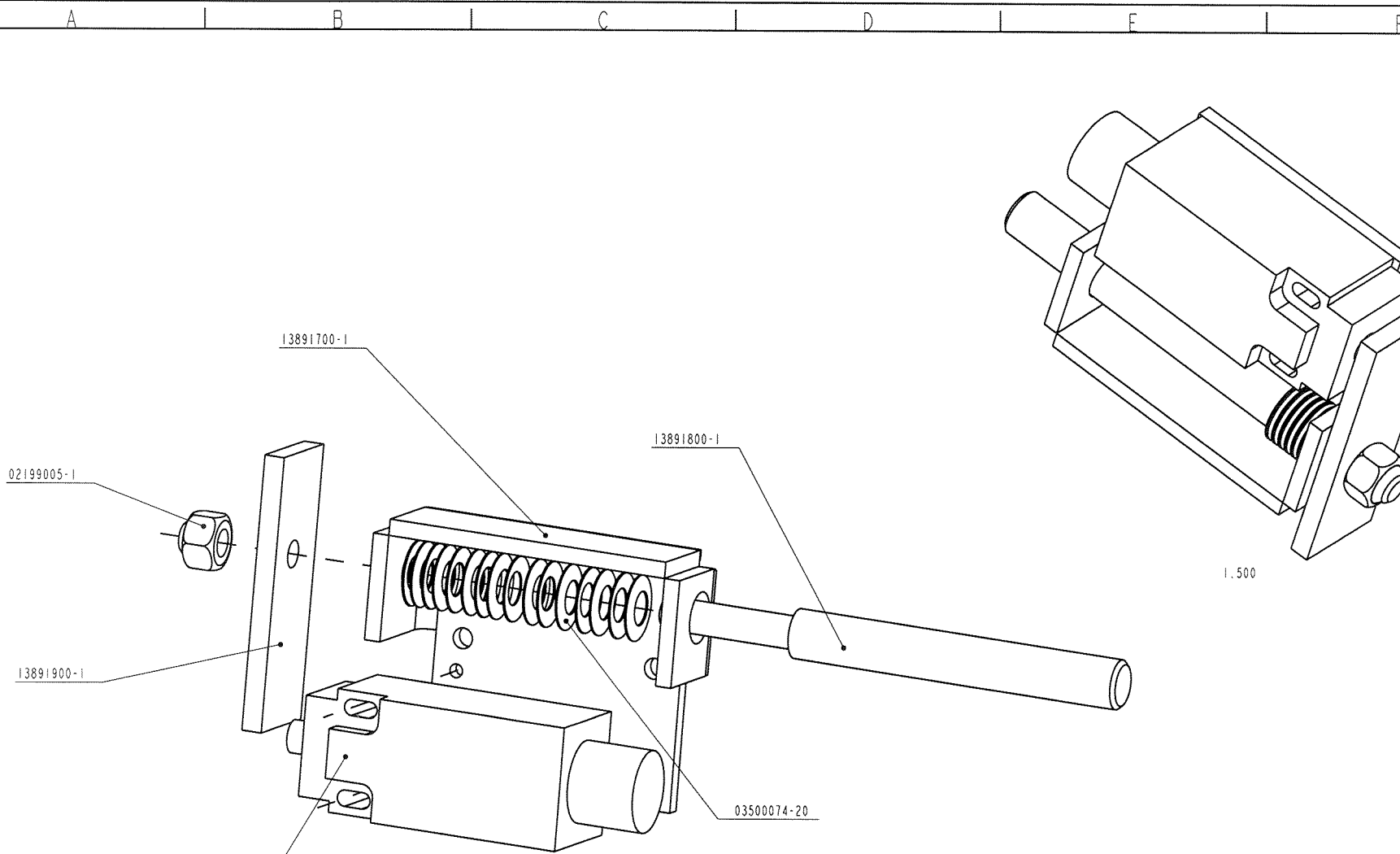
03090019-2

NOTE: These limits switch has to fit into the long holes into the long holes on tube 5

0.350

0.140

May not be copied or used unless authorized by DENKA LIFT A/S	Tolerances if not otherwise indicated	DENKA-LIFT	Formal	Supersedes drag. no.
	Weight in kg.		0.140	Supersedes by drag. no.
	7850.000	DL30	Scale	A2
	Sheet	Forlængerrør monteret	Approved by	
	Total sheets		Drawn by	DB 06-Apr-99
		Drawing no.	13890001	

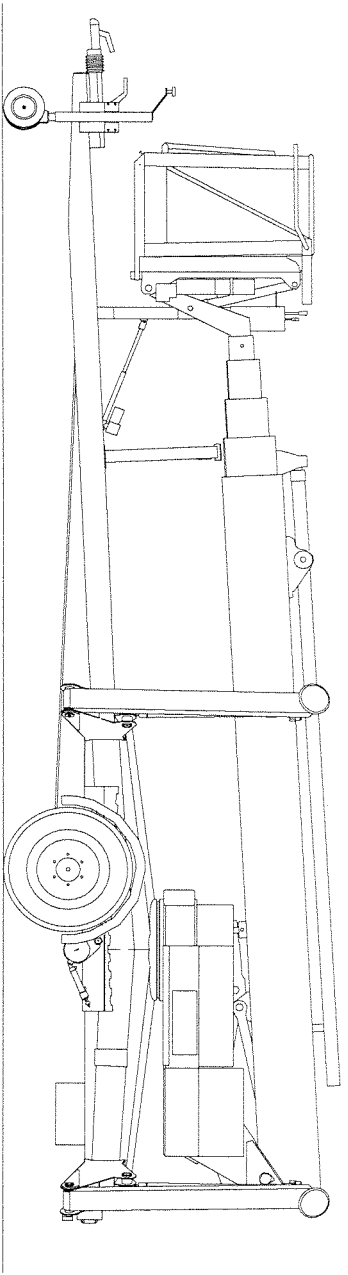


Rev. D	Del 13891700 ændret design	07-Aug-02	PH	
Rev. C	Varenr. 03500047 ændret til 03500074	06-Mar-01	MFM	
Rev. B	12 stk. 03500077 udskiftet med 20 stk. 03500047	30-Nov-00	MFM	
Rev. A	1 stk. varenr. 03010047 udskiftet med 12 stk varenr. 03500077	19-Sep-00	DB	
May not be copied or used unless authorized by DENKA LIFT A/S	Tolerances if not otherwise indicated	DENKA-LIFT <small>Højvang 5, DK-4300 Holbæk - Phone +45 59455500 Fax +45 59442155</small>		
	Weight in kg.			DL30
	7850.000	Kontakt bom inde	Format	1:500
	Sheet	Contact for boom in	Scale	A2
Total sheets	Kontakt für ausleger in	Approved by		
		Drawn by	DB 26-Apr-99	
		Drawing no.	13891601	

**RESERVEDELS-
KATALOG**

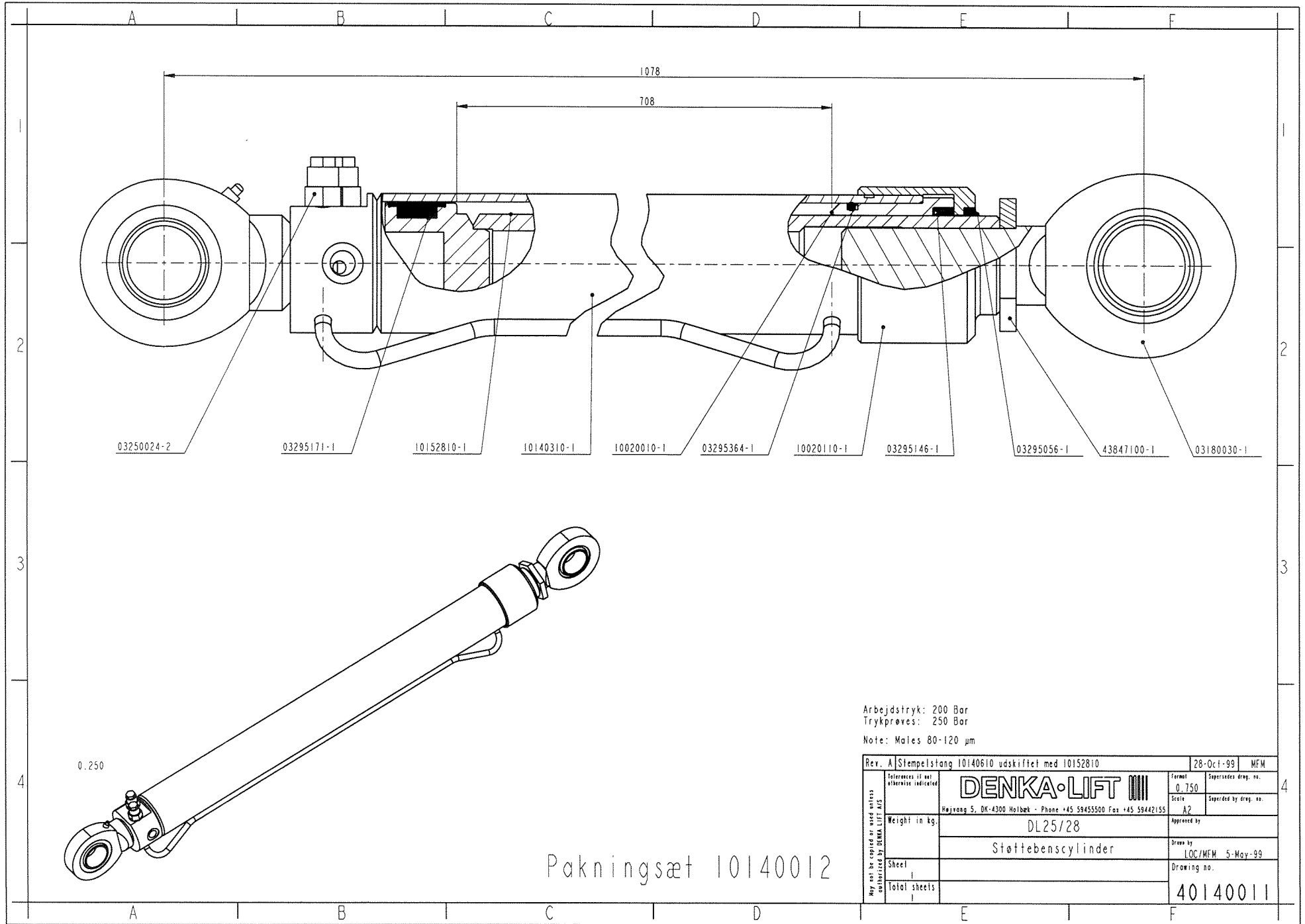
**SPARE PARTS
CATALOGUE**

**ERSATZTEILS-
KATALOG**



**CYLINDER
ZYLINDER**

Version – 07.2004



03250024-2

03295171-1

10152810-1

10140310-1

10020010-1

03295364-1

10020110-1

03295146-1

03295056-1

43847100-1

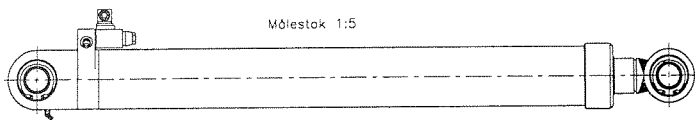
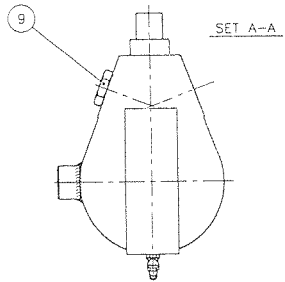
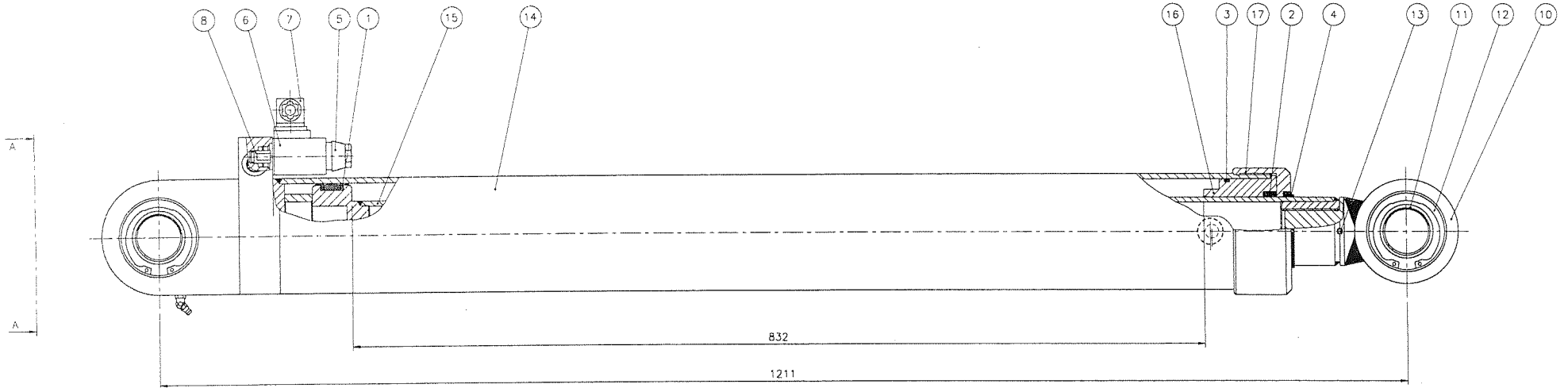
03180030-1

0.250

Arbejdsstryk: 200 Bar
 Trykprøves: 250 Bar
 Note: Males 80-120 µm

Pakningsæt 10140012

Rev. A Stempelstang 10140610 udskiftet med 10152810		28-Oct-99	MFM
		Formet	Suppleredes drag. no.
Højvang 5, DK-4300 Holbæk - Phone +45 59455500 Fax +45 59442155		Scale	Suppleret by drag. no.
Weight in kg.		Approved by	
Sheet		Drawn by	
Total sheets		LOC/MEM 5-May-99	
		Drawing no.	
		40140011	



NOTE: Moles

NOTE: Komplet pakningsset (pos.1-4) vorenr. 10048112

Rev.	Pos.	14	hør	18et	nyt	nummer.										
							110697	LGC/LLH								
17							10025410		4							03240034
							10025310		3							03240049
16							10139310		2							03295057
15							10142310		1							03295370
14							02105005		1							03295147
13									1							03295183
12									4							
11									2							
10									1							
9									1							
8									1							
7									1							

Item	Subject	No.	Dimension	Standard	Id no.	Weight
6	Spoile, Lisk 36W 24V f. 033	1				
5	Magnet 24V 36W, LSK Stal	1				
4	Pakn AS 65-75-7-10	1				
3	O-ring 83,00x4,00	1				
2	Pakn. NI 300 65-75-12-SN	1				
1	Pakn. Simko 320 100-95-16-32	1				

Rev.	Date	Spec.
A		
B		
C		
D		
E		
F		
G		
H		
I		
J		
K		

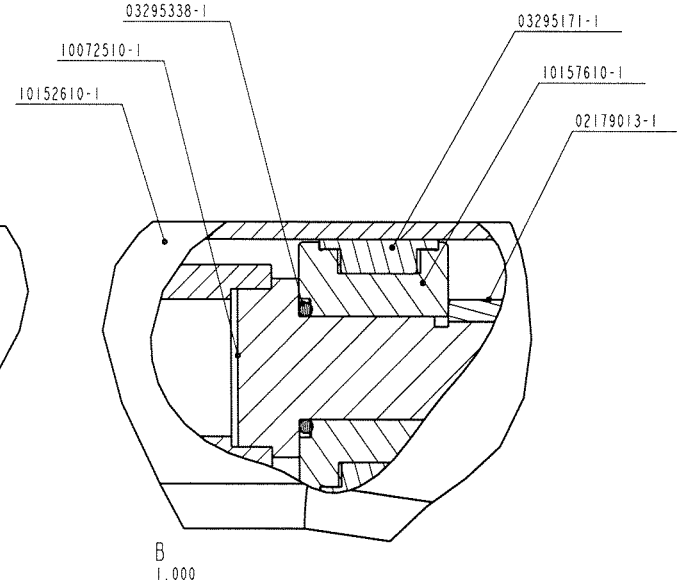
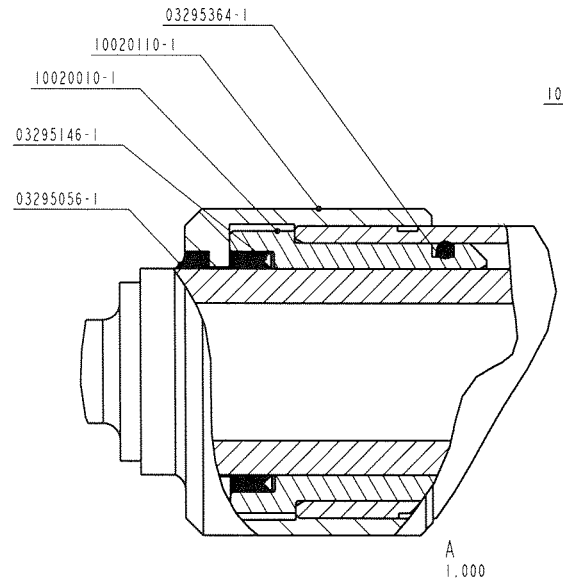
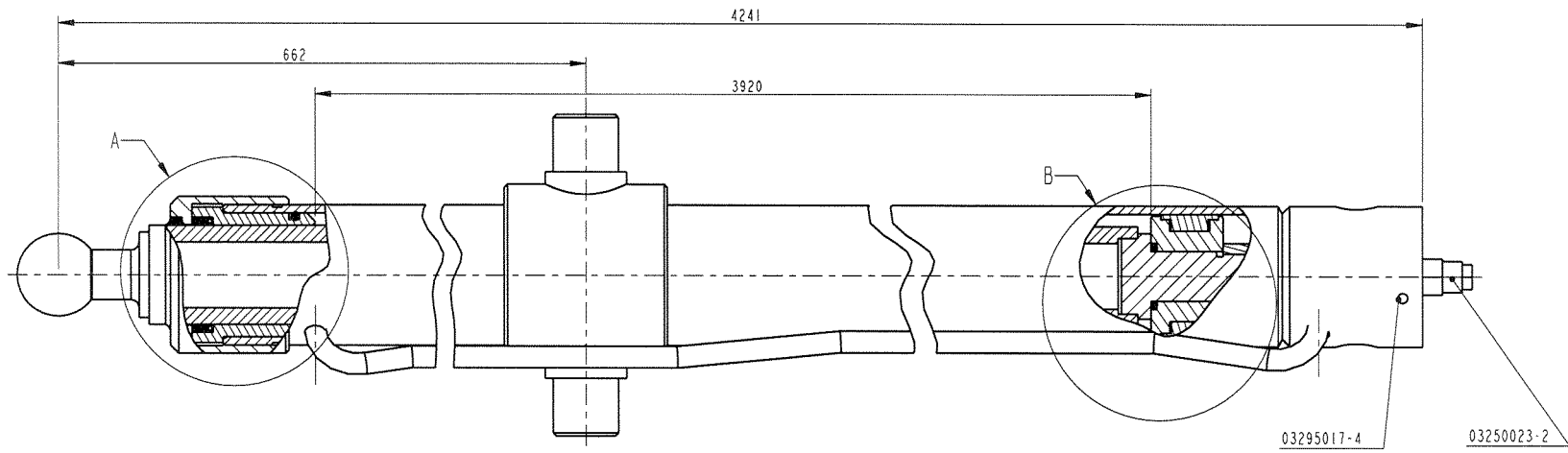
Scale	Supervisors drwg. no.
1:2	10138711

Formed	Approved by	Drawn by	Drawng no.
A1	LLH 11-08-97	LJK 08-04-97	1 01387 11

DENKA-LIFT
 Hansen & Skov A/S
 Høvsung 5, DK-4300 Høvsung-Østerns +453434748-Taxifon +453442155

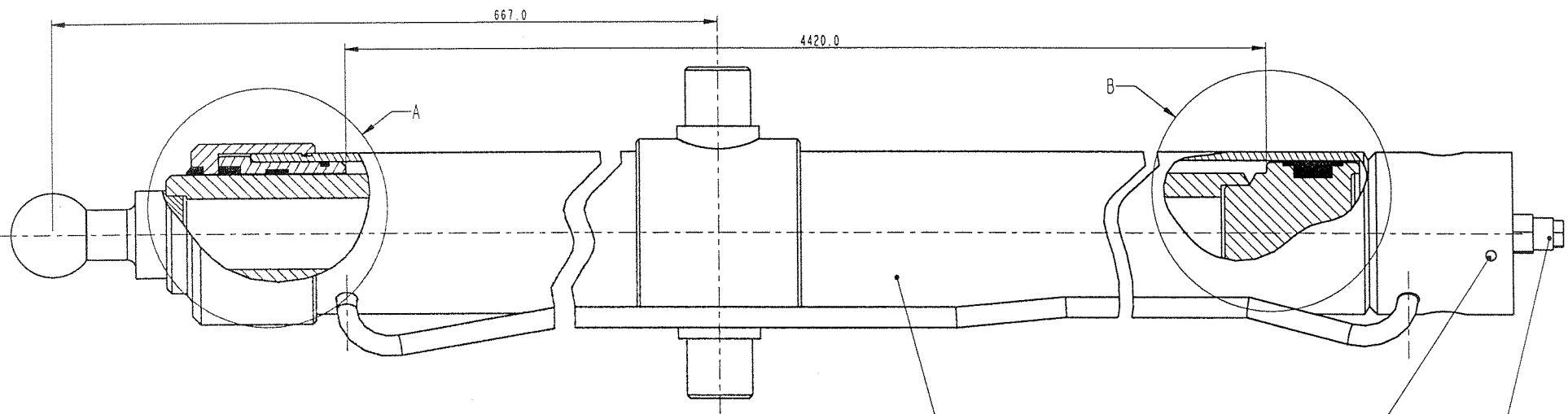
SA1S-100/65-832-SS-HS

Tipcylinder DL25

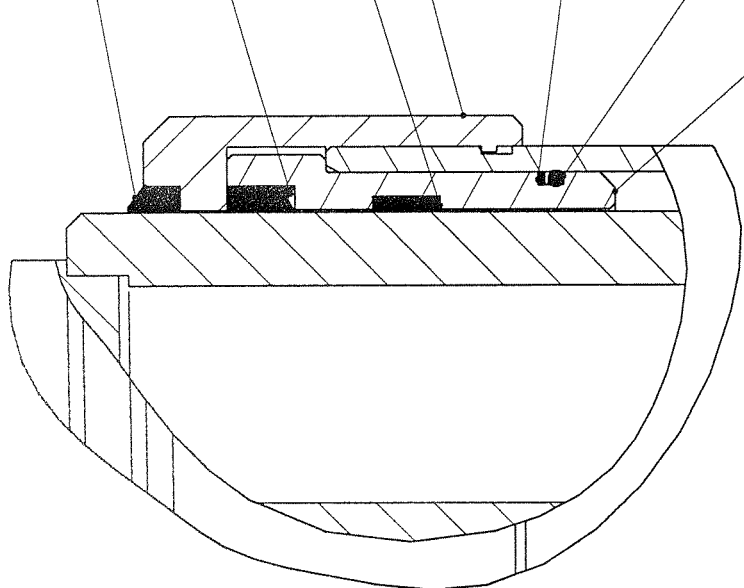


Arbejdsstryk: 200 Bar
 Trykprøves: 250 Bar
 NOTE: Komplet pakningsæt varenr. 10160110
 Note: Males 80-120 µm

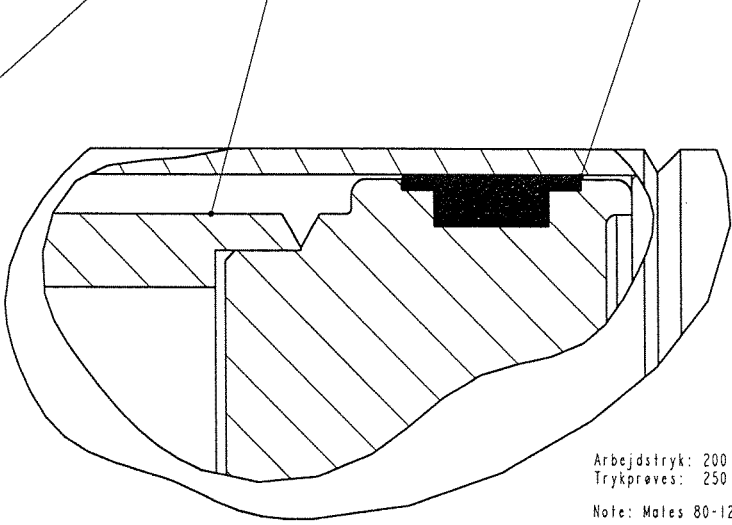
Rev. F Stempel 10019910 udskiftet med 10157610		08-Apr-02	PBM
Rev. E Cylinderør 10072210 udskiftet med 10152610		20-Oct-99	MFM
May not be copied or used without authorized by DENKA LIFT A/S	Tolerances if not otherwise indicated	DENKA-LIFT	Format 0.500 Supersedes drag. no.
	Weight in kg.		Scale A2 Supersedes by drag. no.
	101.685	DA1s-75/60-3920-VK-HS	Approved by
	Sheet	Boomcylinder 25m MK25	Drawn by MFM 20-Oct-99
Total sheets	Boomcylinder 25m MK25	Drawing no.	
	Auslegercylinder 25m MK25		10072011



- 03295065-1
- 03295153-1
- 03295121-1
- 10144810-1
- 03295281-1
- 03295430-1
- 10144710-1
- 10144310-1
- 10152710-1
- 03295173-1
- 03295017-4
- 03250023-2



A
1:500

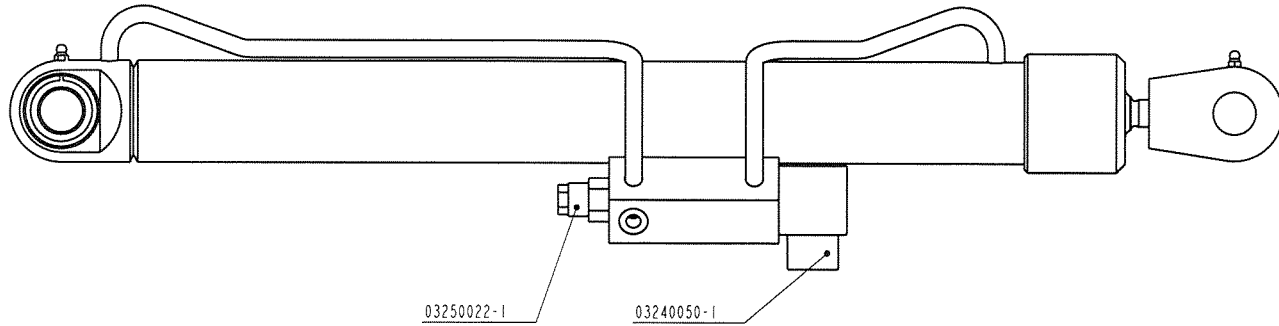


B
1:500

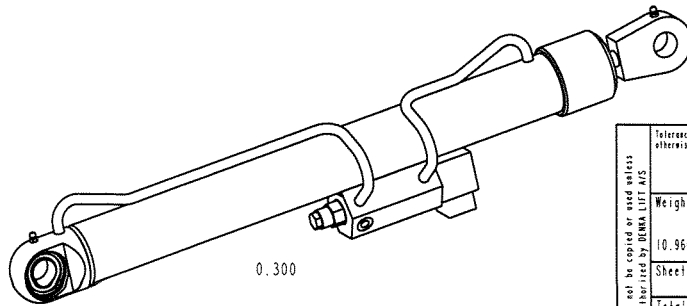
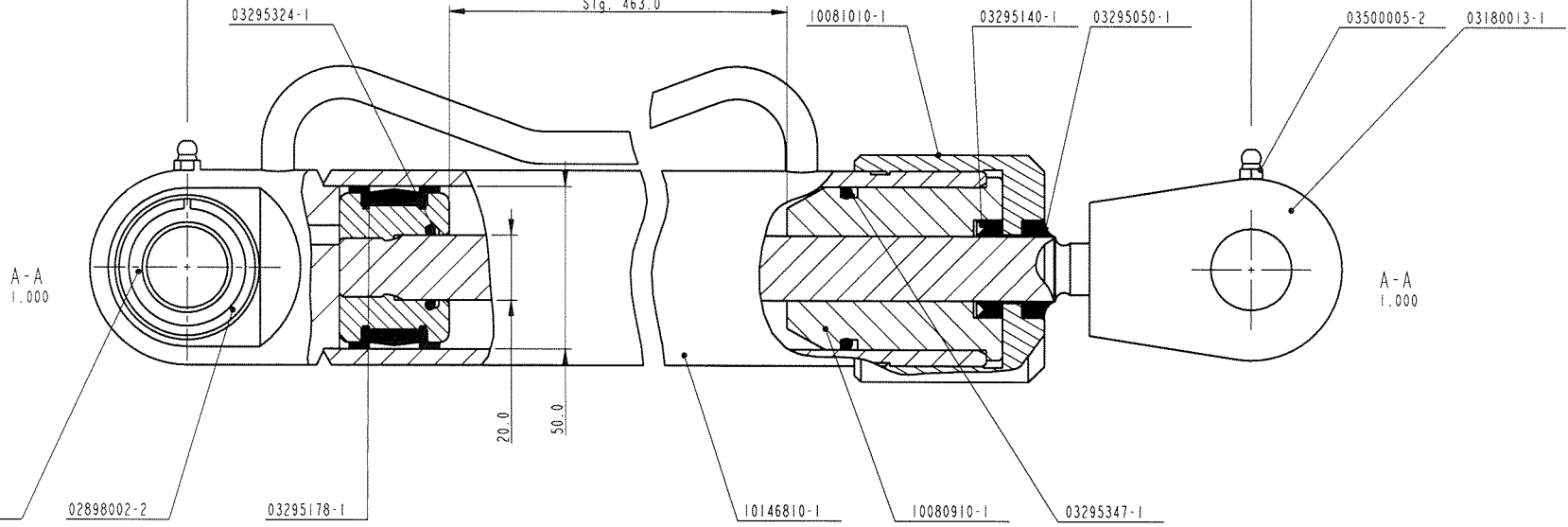
Arbejdstryk: 200 Bar
Trykprøves: 250 Bar
Note: Males 80-120 µm

Rev. B Cylinderrør 10144410 udskiftet med 10152710		28-Oct-99	MFW
Rev. A Endring af tegning 10144310		23-Mar-99	HO
May not be copied or used unless authorized by DENKA LIFT A/S	Tolerances if not otherwise indicated	Format	Supersedes drawing no.
	Weight in kg.	DENKA-LIFT	
		Højvang S., DK-4300 Holbæk - Phone +45 59455500 Fax +45 59442155	
	Sheet	Scale	A2
Total sheets	DAIS-85/70-4420-VK		Approved by
		Bomcylinder DL28	
		Drawn by MFM 28-Oct-99	
		Drawing no.	
		40144011	

A | B | C | D | E | F



indbygningsmål 688.0



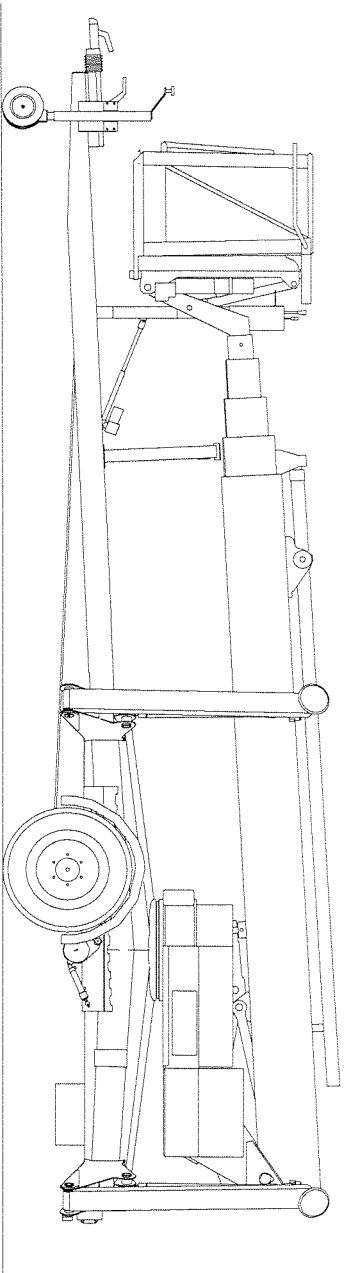
May not be copied or used unless authorized by DENKA LIFT A/S	Tolerances if not otherwise indicated	DENKA-LIFT	Format	Supersedes drawing no.
	Weight in kg.		0.500	Scale
	10.966	Højtræng 5, DK-4300 Højbæk - Phone +45 59455500 Fax +45 59442155 Horisonteringscylinder	Approved by	
	Sheet 1	Ø50/20 slg. 463 med magnetventil Ø50/20 463 with electric valve	Drawn by	MFW 25-May-99
	Total sheets 2	Ø50/20 463 mit Magnetventil	Drawing no.	10146711

A | B | C | D | E | F

**RESERVEDELS-
KATALOG**

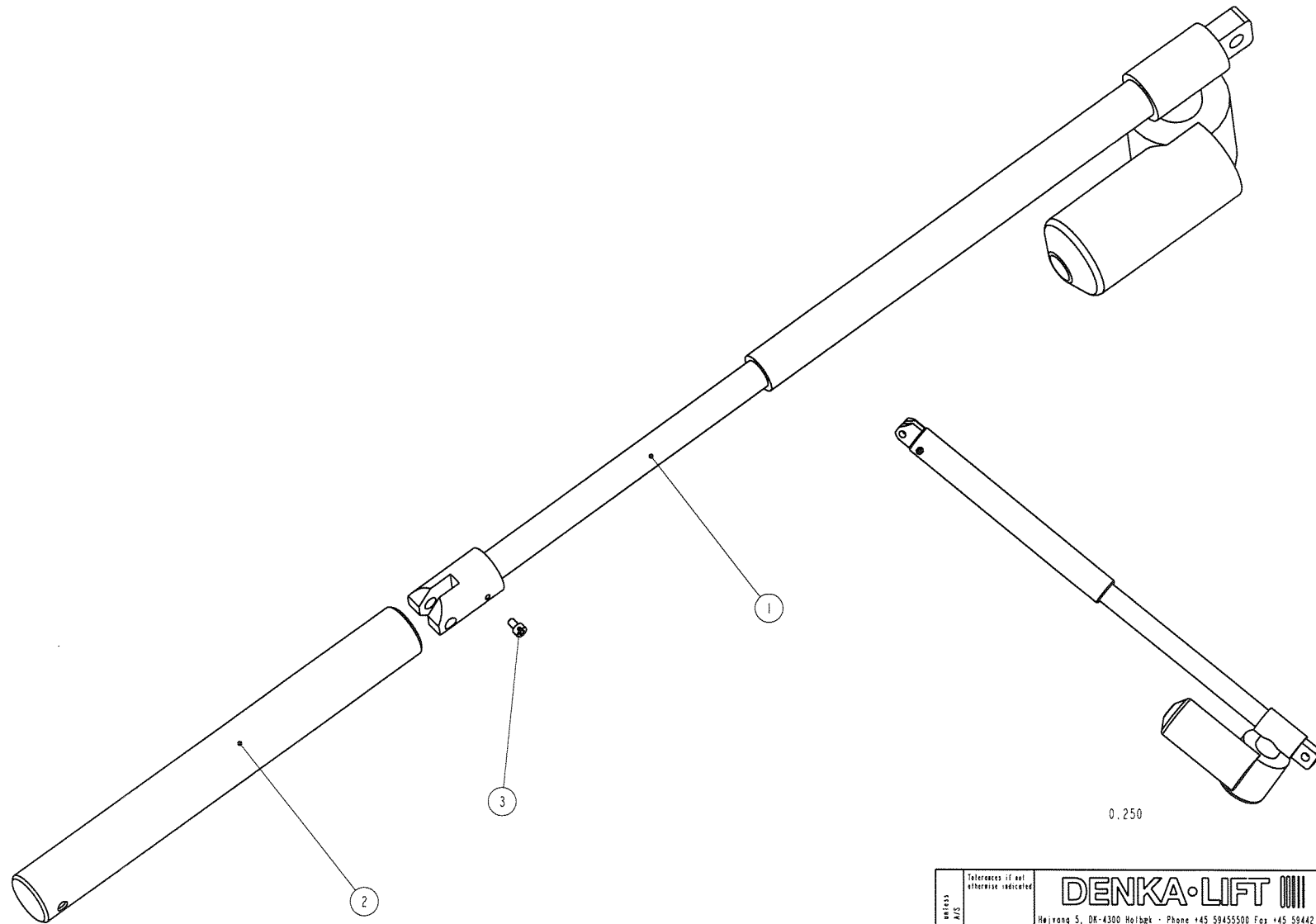
**SPARE PARTS
CATALOGUE**

**ERSATZTEILS-
KATALOG**

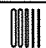


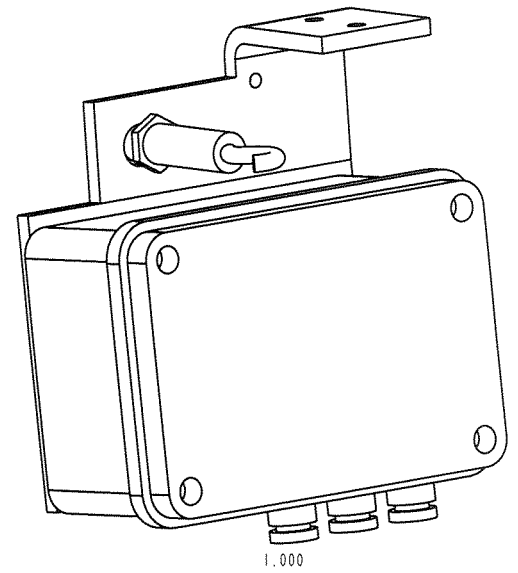
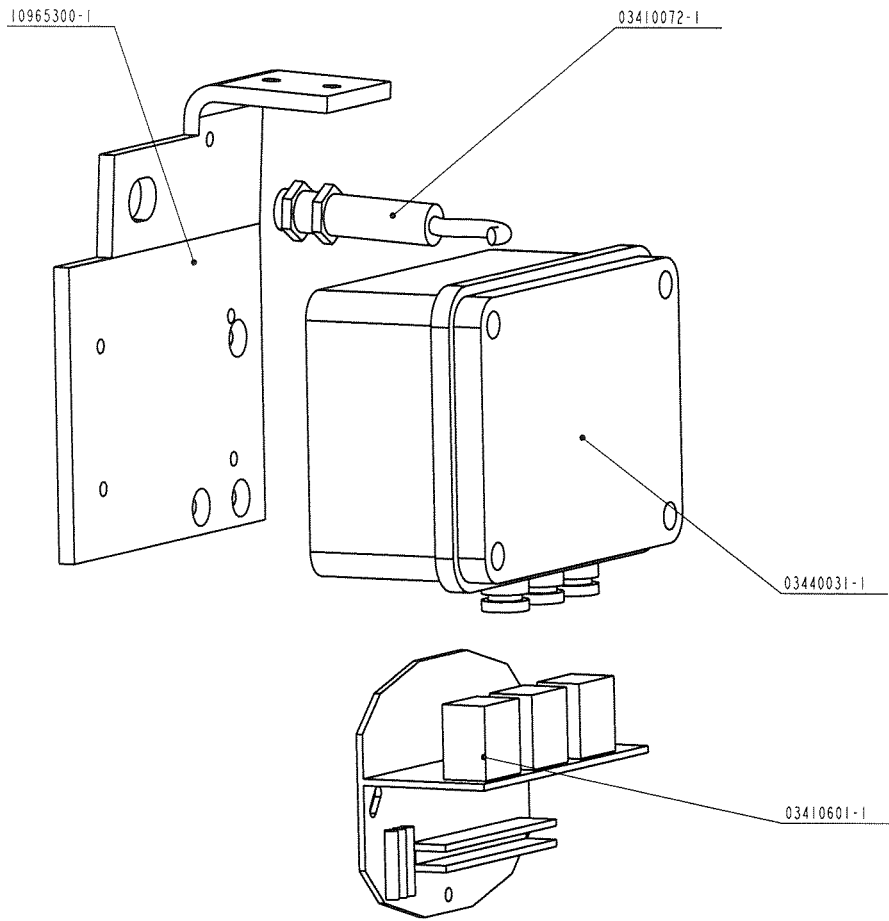
**KURV
BASKET
KORB**

Version - 07.2004

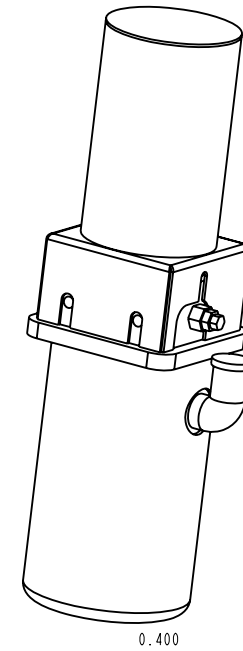
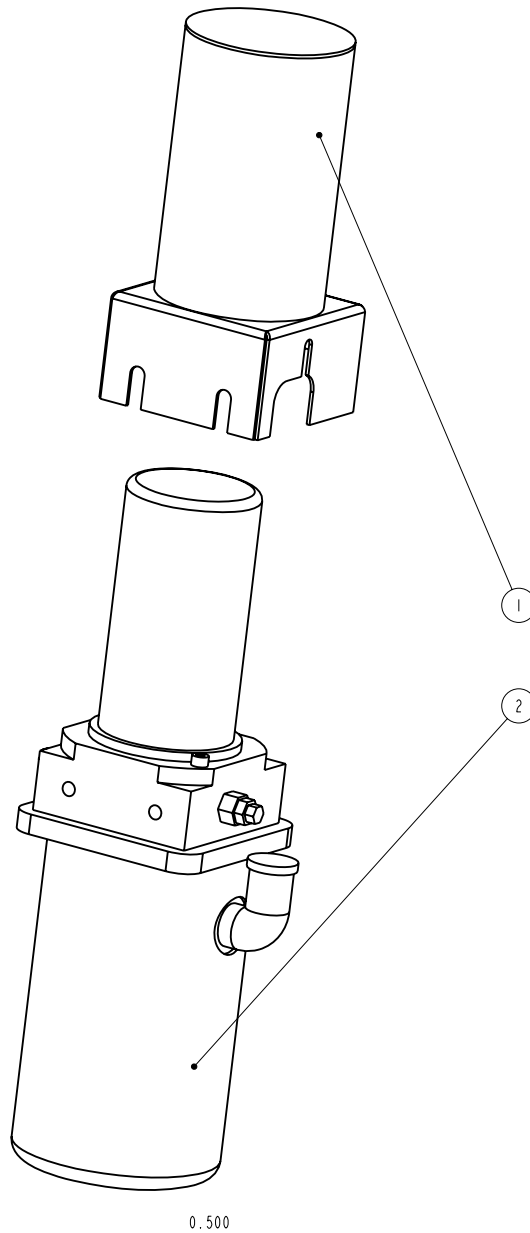


0.250

May not be copied or used unless authorized by DENKA LIFT A/S	Tolerances if not otherwise indicated	DENKA-LIFT 	Format	Supersedes drug. no.	
			0.500	Scale	Supersedes by drug. no.
	Weight in kg.	Højvang S., DK-4300 Holbæk · Phone +45 59455500 Fax +45 59442155	A2	Approved by	
	7850.000	komp.		Drawn by	PH 21-Dec-00
Sheet	Actuator kpl. LA30.1-300-24V		Drawing no.		
Total sheets	Actuator kpl. LA30.1-300-24V			10182801	



May not be copied or used unless authorized by DENKA LIFT A/S	Tolerances if not otherwise indicated	DENKA-LIFT	Format: 1:000	Supersedes drawing no.
	Weight in kg: 7850.000	Hejvang S, DK-4300 Holbæk - Phone +45 59455500 Fax +45 59442155	Scale: A2	Superseded by drawing no.
	Sheet: 1	Aile	Approved by	
	Total sheets: 1	LV-print monteret	Drawn by: PH 28-Dec-00	
		LV-print mounted	Drawing no.	
	LV-Print monteret	14054001		

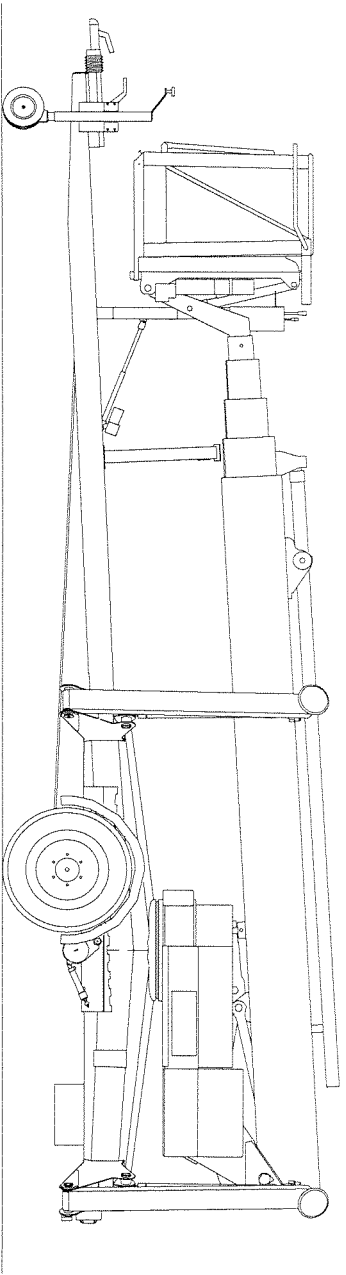


NOTE: Der anvendes 1.5 til 2 liter i anlægget

3	Hydr.olie SHF LT15			1	03140011	0.000	
2	Horisonteringsanlæg 24VHydr-op			1	03280026	0.000	
1	Afdekning til hyd. anlæg 24 V.			1	40152110	0.415	
May not be copied or used unless authorized by DENKA LIFT A/S	Tolerances if not otherwise indicated	DENKA-LIFT 		Format	0_200		Supersedes drag. no.
	Weight in kg.			8750.000		Scale	A2
	Sheet	Horisonteringsanlæg 24V monteret		Approved by		Drawn by	
	Total sheets	1		DB		03-Dec-99	
				Drawing no.			10154511

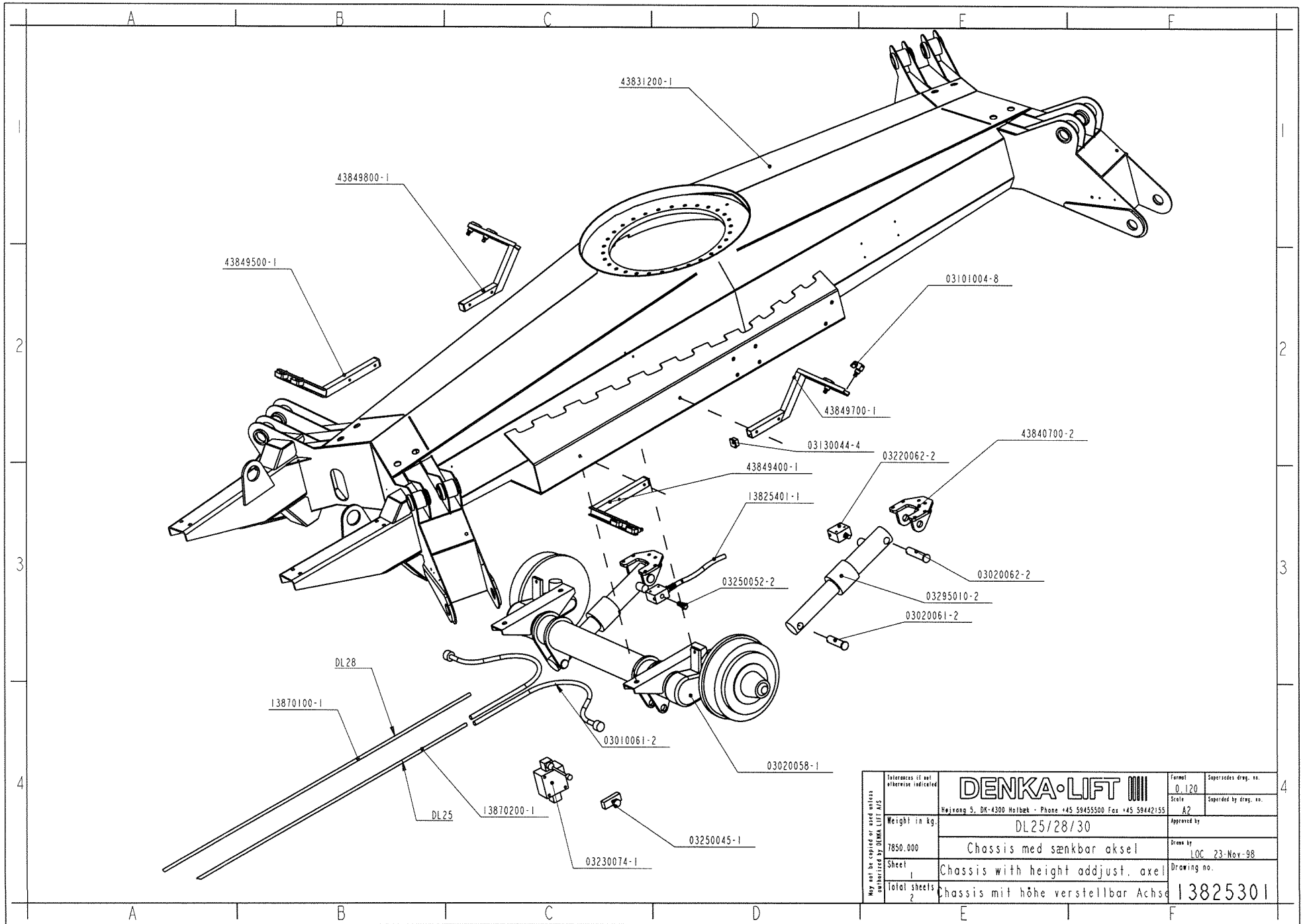
**RESERVEDELS-
KATALOG**
**SPARE PARTS
CATALOGUE**

**ERSATZTEILS-
KATALOG**

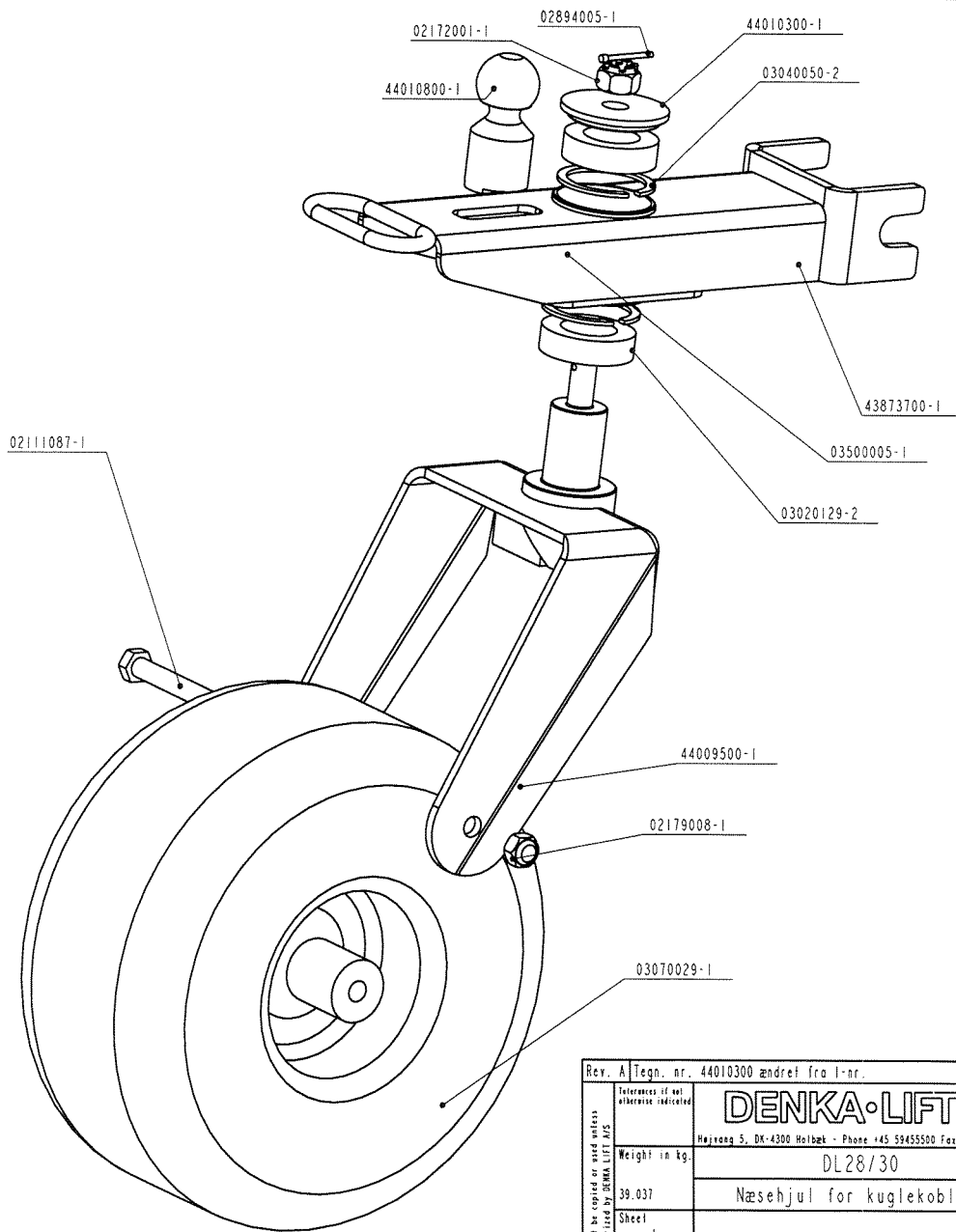
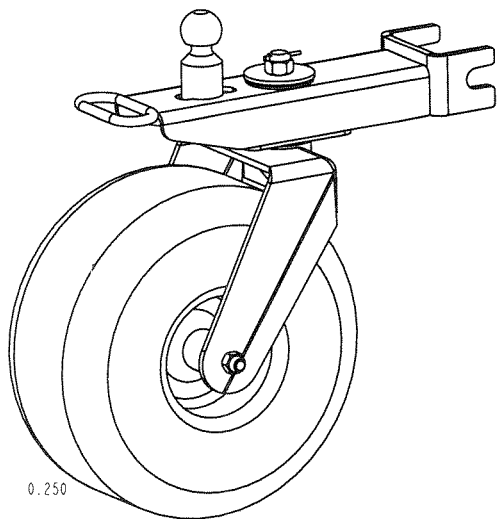


EXTRA

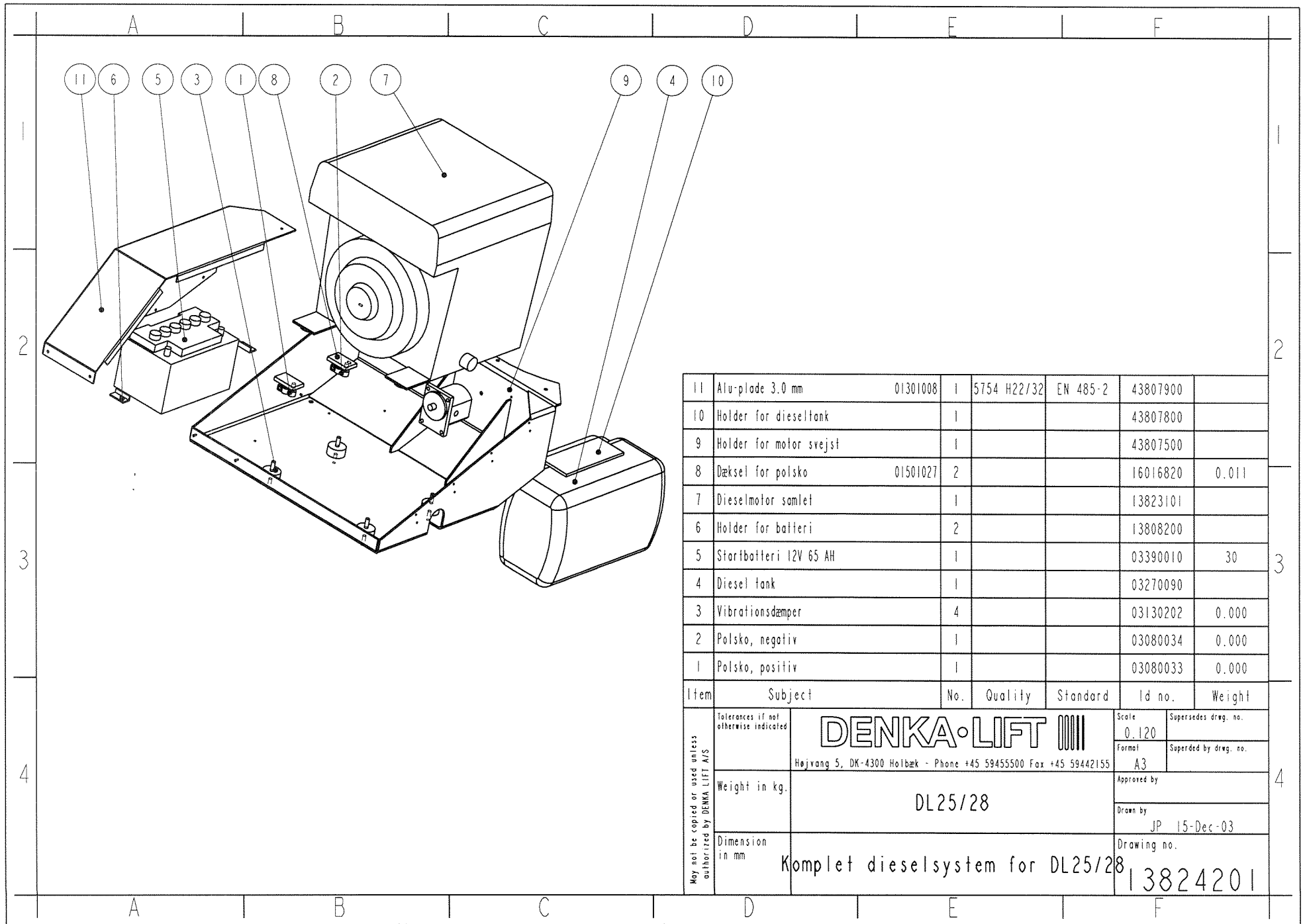
Version – 07.2004




May not be copied or used without authorized by DENKA LIFT A/S	Tolerances if not otherwise indicated	DENKA-LIFT	Formet	Superceded drag. no.
	Weight in kg.		Scale	Superceded by drag. no.
	7850.000	Hejvang 5, DK-4300 Holbæk - Phone +45 59455500 Fax +45 59442155	A2	Approved by
	Sheet 1	DL25/28/30	Drawn by	LOC 23-Nov-98
	Total sheets 2	Chassis with height adjust. axle	Drawing no.	13825301

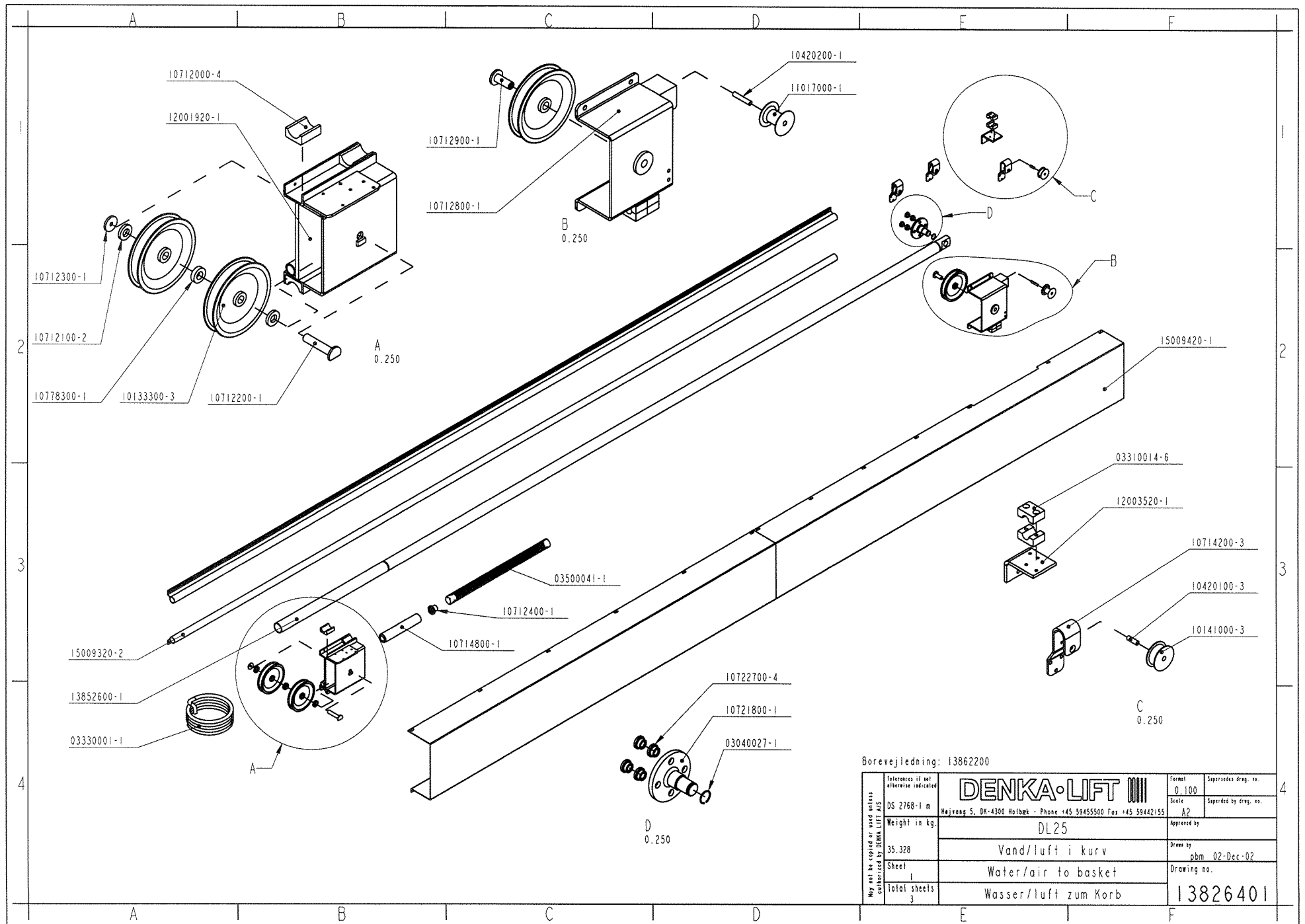


Rev. A	Tegn. nr. 44010300 ændret fra 1-nr.	26-Mar-01	CMH
May not be copied or used without authorization by DENKA LIFT A/S	Tolerances if not otherwise indicated	Formet	Supersedes drawing no.
		0.400	
		Scale	Superseded by drawing no.
		A2	
		Approved by	
Weight in kg.	DL28/30		Drawn by
39.037	Næsehjul for kuglekobling		MEM 09-Nov-99
Sheet			Drawing no.
Total sheets			13826101



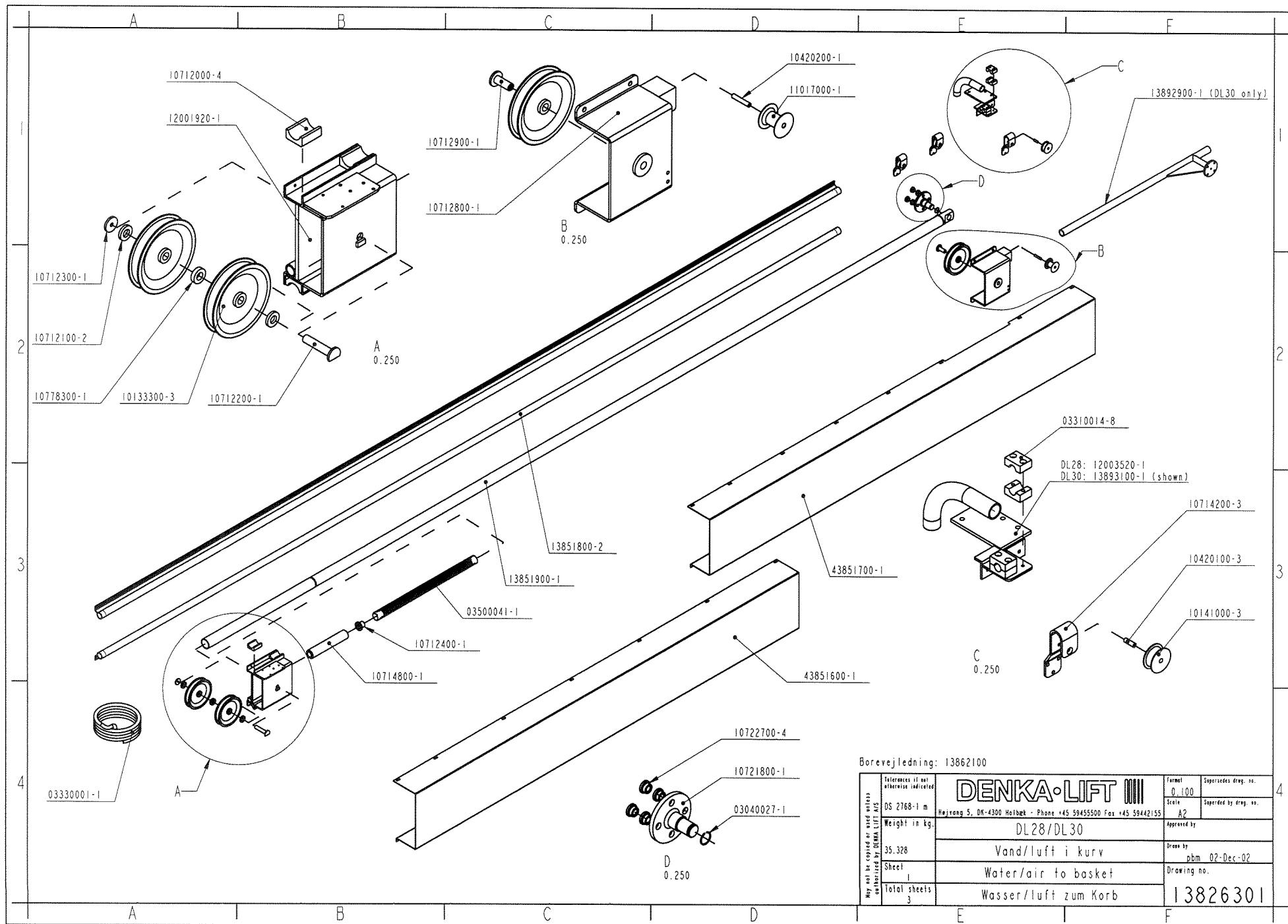
11	Alu-plade 3.0 mm	01301008	1	5754 H22/32	EN 485-2	43807900	
10	Holder for dieseltank		1			43807800	
9	Holder for motor svejst		1			43807500	
8	Dæksel for polsko	01501027	2			16016820	0.011
7	Dieselmotor samlet		1			13823101	
6	Holder for batteri		2			13808200	
5	Startbatteri 12V 65 AH		1			03390010	30
4	Diesel tank		1			03270090	
3	Vibrationsdæmper		4			03130202	0.000
2	Polsko, negativ		1			03080034	0.000
1	Polsko, positiv		1			03080033	0.000
Item	Subject	No.	Quality	Standard	Id no.	Weight	

May not be copied or used unless authorized by DENKA LIFT A/S	Tolerances if not otherwise indicated	DENKA LIFT 	Scale	Supersedes drwg. no.
			0.120	
		Højvang 5, DK-4300 Holbæk - Phone +45 59455500 Fax +45 59442155	Format	Supersedes by drwg. no.
			A3	
Weight in kg.	DL25/28			Approved by
Dimension in mm	Komplet dieselsystem for DL25/28			Drawn by
				JP 15-Dec-03
				Drawing no.
				13824201



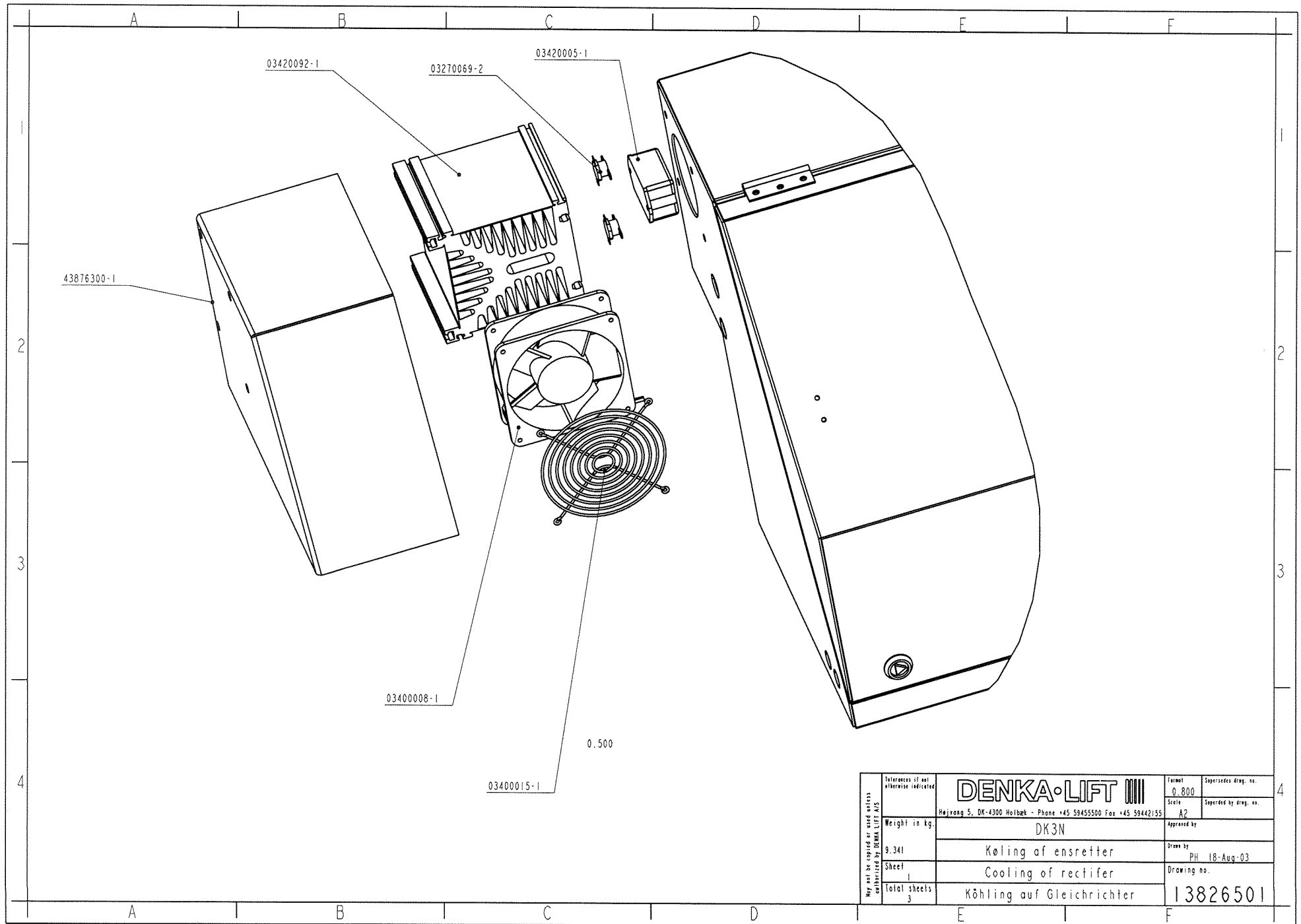
Borevejledning: 13862200

May not be copied or used without authorized by DENKA LIFT A/S	Intolerances if not otherwise indicated DS 2768-1 m	DENKA-LIFT	Format 0.100	Supersedes drag. no.
	Weight in kg. 35.328	Hejvang S, DK-4300 Holbæk - Phone +45 59455500 Fax +45 59442155	Scale A2	Superseded by drag. no.
	Sheet 1	DL25	Approved by pbm 02-Dec-02	
	Total sheets 3	Vand/luft i kurv Water/air to basket	Drawn by pbm 02-Dec-02	
		Wasser/luft zum Korb	Drawing no. 13826401	



Borevejledning: 13862100

May not be copied or used without authorization by DENKA-LIFT A/S	Tolerances if not otherwise indicated	DENKA-LIFT	Format	Supersedes drawing no.
	DS 2768-1 m		0_100	
	Weight in kg.	Højvang S, DK-4300 Holbæk - Phone +45 59455500 Fax +45 59442155	Scale	Superseded by drawing no.
	35.328	DL28/DL30	A2	
	Sheet	Vand/luft i kurv	Approved by	Drawn by
1	Water/air to basket		pbm 02-Dec-02	
Total sheets	Wasser/luft zum Korb		Drawing no.	
3			13826301	



May not be copied or used without authorization by DENKA LIFT A/S	Tolerances if not otherwise indicated	DENKA-LIFT	Format 0.800	Supersedes drawing no.
	Weight in kg.	Højvang 5, DK-4300 Holbæk - Phone +45 59455500 Fax +45 59442155	Scale A2	Superseded by drawing no.
	9.341	DK3N	Approved by	Drawn by PH 18-Aug-03
	Sheet 1	Køling af ensretter Cooling of rectifier	Drawing no.	13826501
Total sheets 3	Kølning auf Gleichrichter			